



# BRAKE DISC

## 09.2465.20

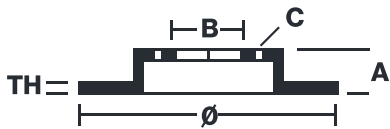
The 09.2465.20 brake disc is synonymous with reliability

The Brembo brake disc is fully interchangeable with an Original Equipment brake disc. The control of the entire production cycle allows Brembo to offer brake discs with outstanding performance levels, reliability, durability and comfort in all conditions of use. All Brembo brake discs are accompanied by the ECE-R90 homologation.

- ✓ OE-equivalent
- ✓ Brembo quality
- ✓ ECE-R90 certificate
- ✓ Safety



### Technical specifications



EAN code  
**8020584246528**

Axle  
**Front**

Diameter Ø  
**278 mm**

Thickness (TH)  
**21,8 mm**

Height (A)  
**68 mm**

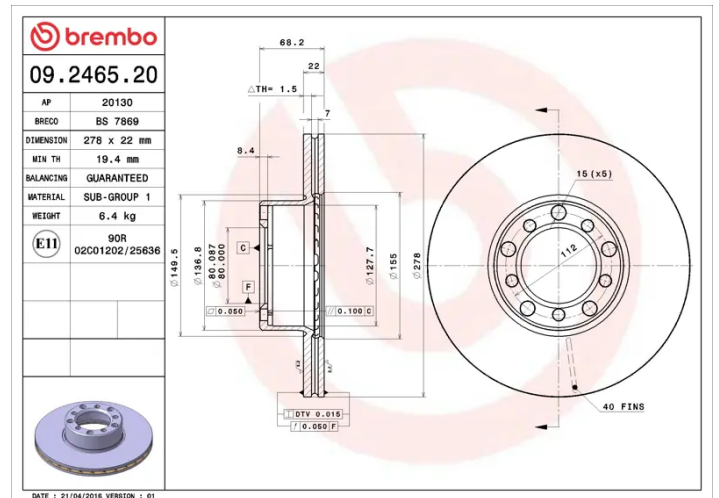
Number of holes (C)  
**5**

Brake disc type  
**Ventilated**

Centering (B)  
**80 mm**

Min. thickness  
**19,4 mm**

Tightening torque  
**130 Nm**



COMPATIBLE VEHICLES

## COMPATIBLE OE PART NUMBERS

1264200005	MERCEDES-BENZ
------------	---------------

---

1264200172	MERCEDES-BENZ
------------	---------------

---

1264210012	MERCEDES-BENZ
------------	---------------

---

A1264200005	MERCEDES-BENZ
-------------	---------------

---

A1264200172	MERCEDES-BENZ
-------------	---------------

---

A1264210012	MERCEDES-BENZ
-------------	---------------

---