

## Technische gegevens hydraulische rem

<b>As Voor</b>	<b>Diameter (∅)</b> 260 mm
<b>Totale hoogte (A)</b> 53,1 mm	<b>Diameter centreringen (B)</b> 63,6 mm
<b>Aantal gaten (C)</b> 5	<b>Dikte (TH)</b> 24 mm
<b>Minimumdikte</b> 22,2 mm	<b>Aanhaalmoment</b>  100 Nm
<b>Aantal per doos</b> 2	<b>EAN-code</b> 8020584013564




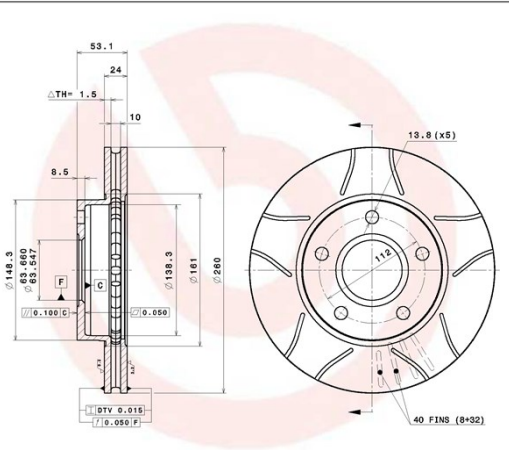
## Codes merken

**Brembo**  
09.6879.76

**AP**  
X 24595



<b>brembo</b>	
<b>09.6879.76</b>	
AP	X 24595
DIMENSION	260 x 24 mm
MIN TH	22.2 mm
BALANCING	GUARANTEED
MATERIAL	SUB-GROUP 1
WEIGHT	5.4 kg
(E11)	90R 02C01202/26128
	
DATE : 09/07/2018 VERSION : 00	



## Technische specificaties

### UV-schijf

Het UV-lakkeringsproces garandeert een superieure weerstand tegen corrosie en een complete bescherming van de schijf.



## Compatibele voertuigen

### FORD

Model	Type	Kw	Jaar
SCORPIO I (GAE, GGE)	1.8	66	04/85 02/92
SCORPIO I (GAE, GGE)	2.0	77	04/85 08/89
SCORPIO I (GAE, GGE)	2.0	80	11/88 10/92
SCORPIO I (GAE, GGE)	2.0 i	85	02/92 09/94
SCORPIO I (GAE, GGE)	2.0 i	85	04/85 02/92
SCORPIO I (GAE, GGE)	2.0 i	88	05/89 09/94
SCORPIO I (GAE, GGE)	2.0 i	74	10/85 12/90
SCORPIO I (GAE, GGE)	2.4 i	96	09/86 09/88

SCORPIO I (GAE, GGE)	2.4 i	92	10/88 02/92
SCORPIO I (GAE, GGE)	2.4 i Cat	92	10/88 09/94
SCORPIO I (GAE, GGE)	2.5 D	51	12/85 02/92
SCORPIO I (GAE, GGE)	2.5 TD	68	06/88 07/93
SCORPIO I (GAE, GGE)	2.5 TD	85	08/93 09/94
SCORPIO I (GAE, GGE)	2.9 i	107	09/86 09/94
SCORPIO I (GAE, GGE)	2.9 i	110	09/86 09/94
SCORPIO I (GAE, GGE)	2.9 i 4x4	107	05/88 02/93
SCORPIO I (GAE, GGE)	2.9 i 4x4	110	09/86 09/94
SCORPIO I (GAE, GGE)	2.9 i Cat	107	10/87 09/94
SCORPIO I Saloon (GGE)	1.8	66	01/86 10/88
SCORPIO I Saloon (GGE)	1.9	85	11/92 09/93
SCORPIO I Saloon (GGE)	2.0	77	03/90 08/92
SCORPIO I Saloon (GGE)	2.0	80	06/89 03/93
SCORPIO I Saloon (GGE)	2.0 i	85	02/92 09/94
SCORPIO I Saloon (GGE)	2.0 i	92	05/89 02/92
SCORPIO I Saloon (GGE)	2.0 i	88	05/89 09/94
SCORPIO I Saloon (GGE)	2.4 i	92	10/88 10/94
SCORPIO I Saloon (GGE)	2.5 D	51	12/89 12/94
SCORPIO I Saloon (GGE)	2.5 TD	68	06/88 07/93
SCORPIO I Saloon (GGE)	2.5 TD	85	08/93 09/94
SCORPIO I Saloon (GGE)	2.9 i	107	09/86 12/94
SCORPIO I Saloon (GGE)	2.9 i 4x4	107	12/89 10/94
SCORPIO I Turnier (GGE)	2.0 i	85	09/91 09/94
SCORPIO I Turnier (GGE)	2.0 i	88	09/91 09/94
SCORPIO I Turnier (GGE)	2.0 i	90	10/90 10/92
SCORPIO I Turnier (GGE)	2.4 i	92	09/91 09/94
SCORPIO I Turnier (GGE)	2.5 D	51	10/90 08/92
SCORPIO I Turnier (GGE)	2.5 TD	85	08/93 09/94
SCORPIO I Turnier (GGE)	2.5 TD	68	09/91 07/93
SCORPIO I Turnier (GGE)	2.9 i	107	09/91 09/94
SCORPIO I Turnier (GGE)	2.9 i 4x4	107	05/88 02/93

## OE-codes

**Compatibele OE-codes**

FORD	5022668
------	---------

FORD	5023441
------	---------

FORD	5023444
------	---------

FORD	5027462
------	---------

FORD	5027463
------	---------

FORD	6168109
------	---------

FORD	6193694
------	---------

FORD	6450826
------	---------