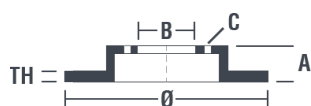


Technische gegevens hydraulische rem

As Voor	Diameter (Ø) 319 mm
Totale hoogte (A) 49,2 mm	Diameter centreringen (B) 62 mm
Aantal gaten (C) 5	Dikte (TH) 28 mm
Minimumdikte 26 mm	Aanhaalmoment 103 Nm
Aantal per doos 2	EAN-code 8020584016558

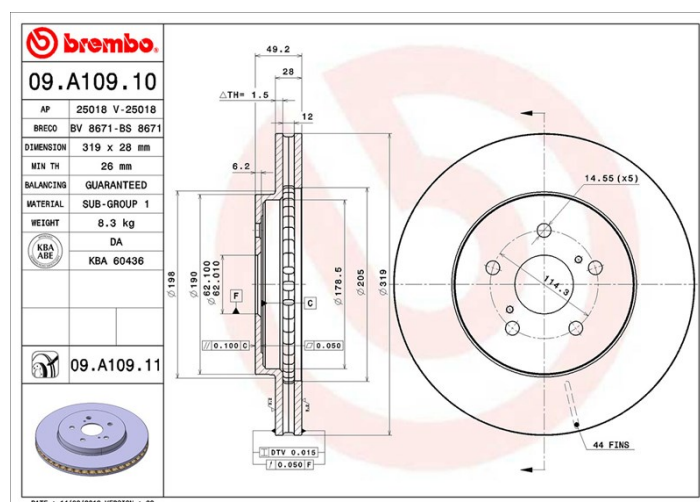


Codes merken

Brembo
09.A109.10

AP
25018

Breco
BS 8671



Technische specificaties

Compatibele voertuigen

LEXUS

Model	Type	Kw	Jaar
RX (_U3_)	300 (MCU35_)	150	05/03 12/08
RX (_U3_)	330 (MCU38_)	171	04/03 01/06
RX (_U3_)	330 AWD (MCU38)	171	04/03 12/08
RX (_U3_)	350 (GSU35_)	201	09/06 12/08
RX (_U3_)	350 AWD (GSU35_)	203	02/06 12/08
RX (_U3_)	400h (MHU38_)	155	09/05 12/08
RX (_U3_)	400h (MHU38_)	200	09/05 12/08
RX (_U3_)	400h AWD (MHU38_)	155	09/04 12/08

TOYOTA

Model	Type	Kw	Jaar
-------	------	----	------

HARRIER (_U3_)	2.4 (ACU30_)	118	02/03 06/12
HARRIER (_U3_)	2.4 4WD (ACU35_)	118	10/03 06/12
HARRIER (_U3_)	3.0 4WD (MCU35_, MCU36_)	150	10/03 12/08
HARRIER (_U3_)	3.3 4WD	171	10/03 12/08
HARRIER (_U3_)	3.3 Hybrid 4WD (MHU38_)	155	04/05 05/12
HARRIER (_U3_)	3.5 (GSU30_)	206	04/05 12/08
HARRIER (_U3_)	3.5 4WD (GSU35_, GSU36_)	206	04/05 12/08

OE-codes

Compatibele OE-codes

LEXUS	4351248081
TOYOTA	4351248081
TOYOTA	4351248090
TOYOTA	4351248100