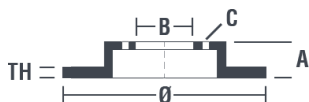


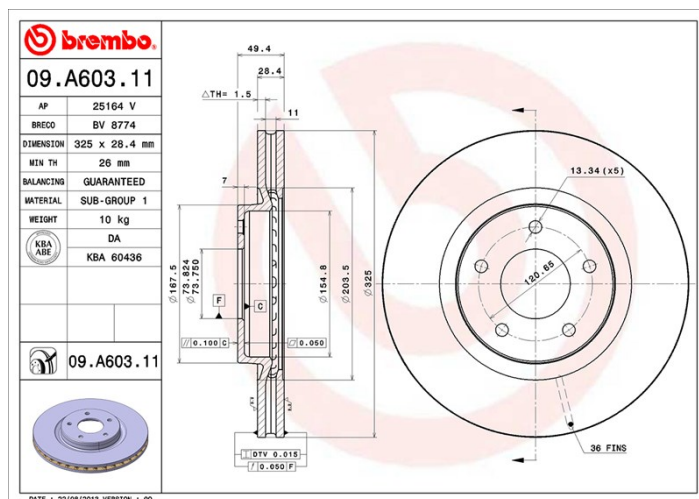
Technische gegevens hydraulische rem

| | |
|-------------------------------------|---|
| As Voor | Diameter 325 mm |
| Totale hoogte (A) 49,5 mm | Diameter centreringen (B) 73,8 mm |
| Aantal gaten (C) 5 | Dikte (TH) 28,5 mm |
| Minimumdikte 26 mm | Aanhaalmoment 103 Nm |
| Aantal per doos 2 | EAN-code 8020584019498 |



Codes merken

| | | |
|-----------------------------|----------------------|-------------------------|
| Brembo 09.A603.11 | AP 25164 V | Breco BV 8774 |
|-----------------------------|----------------------|-------------------------|



Technische specificaties

UV-schijf

Het UV-lakkeringsproces garandeert een superieure weerstand tegen corrosie en een complete bescherming van de schijf.



Compatibele voertuigen

JAGUAR

| Model | Type | Kw | Jaar |
|-------------------------|------|-----|-------------|
| XJ (X308) | 3.2 | 174 | 07/97 05/03 |
| XJ (X308) | 4.0 | 209 | 07/97 05/03 |
| XJ (X308) | 4.0 | 267 | 07/97 05/03 |
| XJ (X308) | 4.0 | 216 | 10/97 04/03 |
| XK 8 Convertible (X100) | 4.0 | 267 | 02/98 07/05 |
| XK 8 Convertible (X100) | 4.0 | 209 | 03/96 12/02 |
| XK 8 Convertible (X100) | 4.0 | 216 | 05/96 07/99 |

| | | | |
|-------------------------|-----|-----|-------------|
| XK 8 Convertible (X100) | 4.2 | 219 | 08/02 12/06 |
| XK 8 Coupe (X100) | 4.0 | 267 | 02/98 07/05 |
| XK 8 Coupe (X100) | 4.0 | 209 | 03/96 07/05 |
| XK 8 Coupe (X100) | 4.0 | 216 | 05/96 07/05 |
| XK 8 Coupe (X100) | 4.2 | 219 | 08/02 07/05 |

OE-codes

Compatibele OE-codes

| | |
|--------|----------|
| JAGUAR | C2C41250 |
|--------|----------|

| | |
|--------|----------|
| JAGUAR | JLM20617 |
|--------|----------|