



BRAKE DISC

09.B633.10

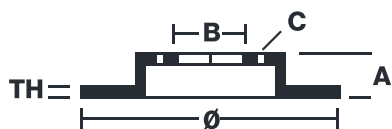
The **09.B633.10** brake disc is synonymous with reliability

The Brembo brake disc is fully interchangeable with an Original Equipment brake disc. The control of the entire production cycle allows Brembo to offer brake discs with outstanding performance levels, reliability, durability and comfort in all conditions of use. All Brembo brake discs are accompanied by the ECE-R90 homologation.

- ✓ OE-equivalent
- ✓ Brembo quality
- ✓ ECE-R90 certificate
- ✓ Safety
- ✓ High carbon
- ✓ Fastening screws



Technical specifications



EAN code
8020584210017

Axle
Front

Diameter Ø
302 mm

Thickness (TH)
28 mm

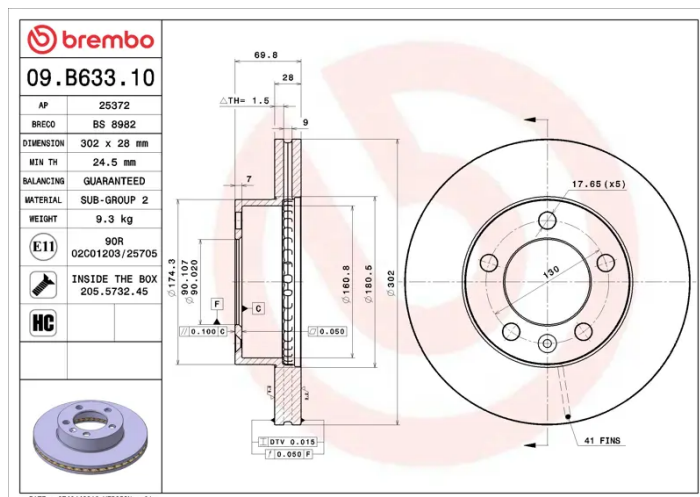
Height (A)
70 mm

Number of holes (C)
5

Brake disc type
Ventilated

Centering (B)
90 mm

Min. thickness
24,5 mm



COMPATIBLE VEHICLES

COMPATIBLE OE PART NUMBERS

4020600Q0G	NISSAN
------------	--------

4419359	OPEL
---------	------

93197403	OPEL
----------	------

8200688880	RENAULT
------------	---------

8660003514	RENAULT
------------	---------

93197403	VAUXHALL
----------	----------