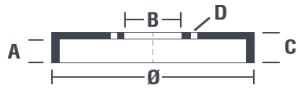


# Trommel 14.5069.10

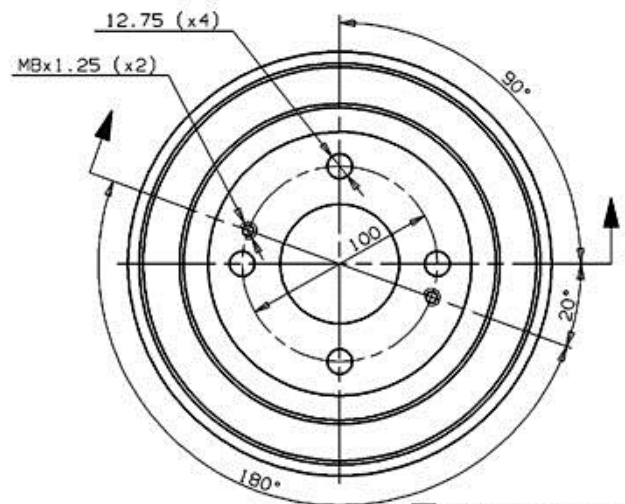
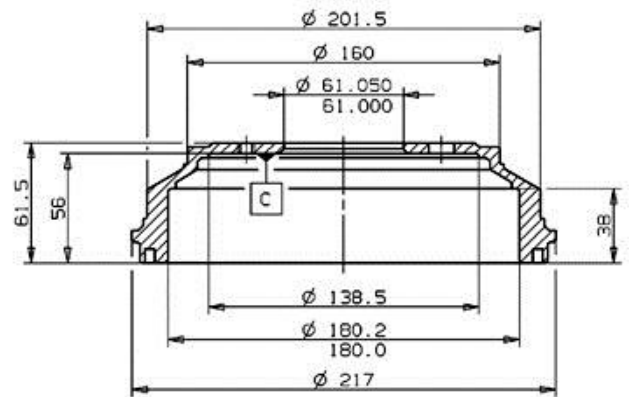


## Technische gegevens trommel

<b>As</b> Achter	<b>Diameter</b> (Ø) 180,00 mm
<b>Max. diameter</b> (Max. diameter) 181,00 mm	<b>Max. diameter</b> 181,00 mm
<b>Breedte</b> 38,00 mm	<b>Diameter centrering</b> (B) 61 mm
<b>Gecombineerde hoogte</b> (C) 61,50 mm	<b>Aantal gaten</b> (D) 4,00
<b>Met lager</b>	<b>EAN-code</b> 8020584506912



HONDA P.N.: 42610-SB2-010	14.5069.10
CUSTOMER P.N.: .....	Date 18.11.97



C MOUNTING FACE  
 Max. DIA. 181 mm  
 Weight 3.2 Kg

## Compatibele voertuigen

### HONDA

Model	Type	Kw	Jaar
CIVIC III Hatchback (AL, AJ, AG, AH)	1.2 (AL)	40	01/84 10/87
CIVIC III Hatchback (AL, AJ, AG, AH)	1.3 (AG)	52	10/83 10/87

CIVIC III Hatchback (AL, AJ, AG, AH)	1.5 GL (AH)	63	10/83 10/87
CIVIC III Hatchback (AL, AJ, AG, AH)	1.5 GT (AH)	74	01/85 10/87
CIVIC III Hatchback (AL, AJ, AG, AH)	1.5 GTI (AH)	66	03/86 10/87
CIVIC III Saloon (AM, AK, AU)	1.2	40	01/85 10/87
CIVIC III Saloon (AM, AK, AU)	1.3	52	10/83 10/87
CIVIC III Saloon (AM, AK, AU)	1.5 GL	63	10/83 10/87
CIVIC III Saloon (AM, AK, AU)	1.5 GT	74	01/85 10/87
CIVIC III Saloon (AM, AK, AU)	1.5 GTI	66	03/86 10/87
CIVIC IV Hatchback (EC, ED, EE)	1.3 (EC8)	55	10/87 12/89
CIVIC IV Hatchback (EC, ED, EE)	1.3 16V Cat (EC8)	55	09/89 09/91
CIVIC IV Hatchback (EC, ED, EE)	1.4 L (EC9)	66	10/87 12/89
CIVIC IV Hatchback (EC, ED, EE)	1.5	60	01/88 12/89
CIVIC IV Hatchback (EC, ED, EE)	1.5 i 16V	66	10/88 09/91
CIVIC IV Hatchback (EC, ED, EE)	1.5 i 16V (ED6)	69	10/88 09/91
CIVIC IV Hatchback (EC, ED, EE)	1.6 i 16V (ED7)	80	10/87 09/91
CIVIC IV Hatchback (EC, ED, EE)	1.6 i 16V (ED7)	81	10/87 09/91
CIVIC IV Saloon (ED)	1.3	55	10/87 12/89
CIVIC IV Saloon (ED)	1.4 L (ED2)	66	10/87 12/89
CIVIC IV Saloon (ED)	1.5	60	01/88 12/89
CIVIC IV Saloon (ED)	1.5 i 16V	66	10/87 09/91
CIVIC IV Saloon (ED)	1.5 i 16V (ED3)	69	10/87 09/91
CIVIC IV Saloon (ED)	1.6 i 16V (ED4)	81	10/87 09/91
CIVIC IV Saloon (ED)	1.6 i 16V (ED4)	80	11/87 09/91
CIVIC V Hatchback (EG)	1.3 16V (EG3)	55	10/91 11/95
CIVIC V Hatchback (EG)	1.5 i 16V (EG4)	66	10/91 11/95
CIVIC V Hatchback (EG)	1.5 i 16V (EG4)	69	10/91 11/95
CIVIC V Saloon (EG, EH)	1.3	55	01/92 12/92
CRX I (AF, AS)	1.3	52	10/83 10/87
CRX I (AF, AS)	1.5 i (AF)	74	10/83 11/86
CRX I (AF, AS)	1.6 i 16V (AS)	92	03/86 10/87
CRX II (ED, EE)	1.6 i 16V (ED9)	91	10/87 02/92

CRX II (ED, EE)

1.6 i 16V (ED9)

96

10/87 12/89

**ROVER**

Model	Type	Kw	Jaar
200 Saloon (XH)	213 S	54	09/85 09/89
200 Saloon (XH)	216	61	03/85 09/89
200 Saloon (XH)	216 Vitesse	75	09/84 09/89

**OE-codes**

**Compatibele OE-codes**

HONDA	42610SB2010
HONDA	42610SB2761
ROVER	DBP3798
ROVER	GDB115