



# DRUM

## 14.7747.10

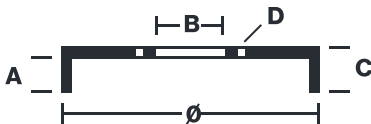
The **14.7747.10** drum is synonymous with reliability

Brembo has developed several design solutions for drum brakes which combine multiple materials to reduce the overall weight. The most popular range of lamellar graphite cast iron drums is supplemented by cast iron drums with a steel sprocket flange and aluminium drums, whereby only the inner part of the drum on which the shoes operate are made of lamellar cast iron, namely the brake band. Additionally drums with built-in bearing kit and hub are added to this range.



- ✓ OE-equivalent
- ✓ Brembo quality
- ✓ Safety
- ✓ Durability

### Technical specifications



EAN code  
**8020584774717**

Axle  
**Rear**

Diameter  
**250 mm**

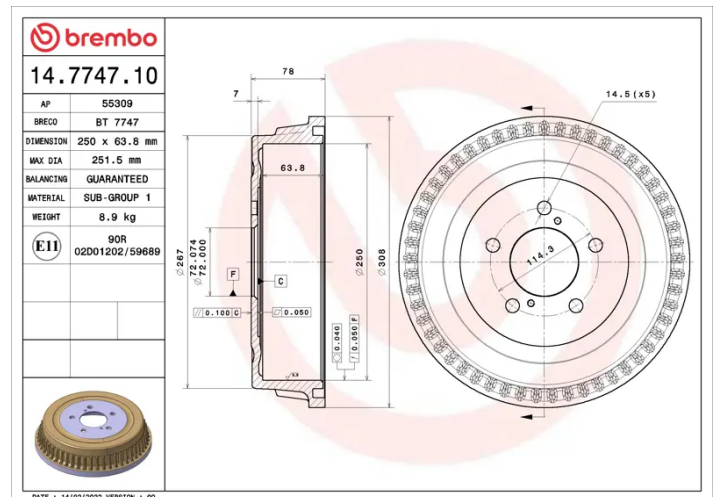
Width  
**66 mm**

Height  
**77,2**

Number of holes  
**5**

Centering  
**72 mm**

Max diameter  
**251,5 mm**



**COMPATIBLE VEHICLES**

## COMPATIBLE OE PART NUMBERS

4683433 CHRYSLER

---

4721263 CHRYSLER

---

4877263 CHRYSLER

---

4877263AD CHRYSLER

---

4877263AF CHRYSLER

---

4877263AG CHRYSLER

---

4877433 CHRYSLER

---

4877433AF CHRYSLER

---

4877433AG CHRYSLER

---

5019407AA CHRYSLER

---

4683433 DODGE

---

4721263 DODGE

---

4877263AD DODGE

---

4877263AF DODGE

---

4877433AF DODGE

---

4877433AG DODGE

---

5019407AA DODGE

---

4683433 PLYMOUTH

---

4721263 PLYMOUTH

---