



BRAKE PAD PRIME CERAMIC P44017N

The P44017N NAO brake pad is synonymous with reliability

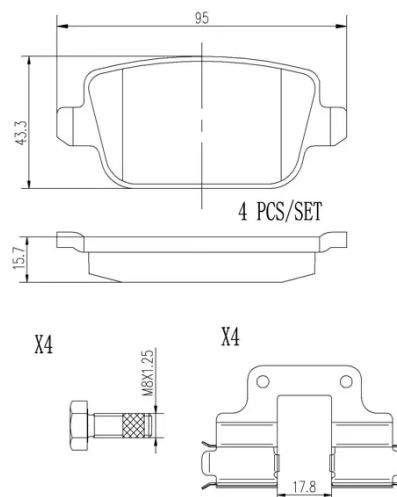
Brembo NAO brake pads stand out for their ultimate braking comfort, reduced friction wear and low dust mission, which makes for cleaner rims and reduced maintenance requirements. The advanced friction material in keeping with the strictest environmental standards is the main distinguishing feature of NAO compounds.

- ✓ OE-equivalent
- ✓ Brembo quality
- ✓ Safety
- ✓ Comfort
- ✓ Durability
- ✓ Dust reduction
- ✓ With accessories



Technical specifications

EAN code 8020584088722	Axle Rear	Thickness 16 mm
Width 95 mm	Height 43 mm	Braking system TRW
Wear indicator Without	WVA number 24537	Accessories With accessories With anti-squeal shim With brake caliper bolts



COMPATIBLE VEHICLES

COMPATIBLE OE PART NUMBERS

LR003657	LAND ROVER
----------	------------

LR134697	LAND ROVER
----------	------------

30671576	VOLVO
----------	-------

30794553	VOLVO
----------	-------
