



BRAKE PAD PRIME CERAMIC P50093N

The P50093N NAO brake pad is synonymous with reliability

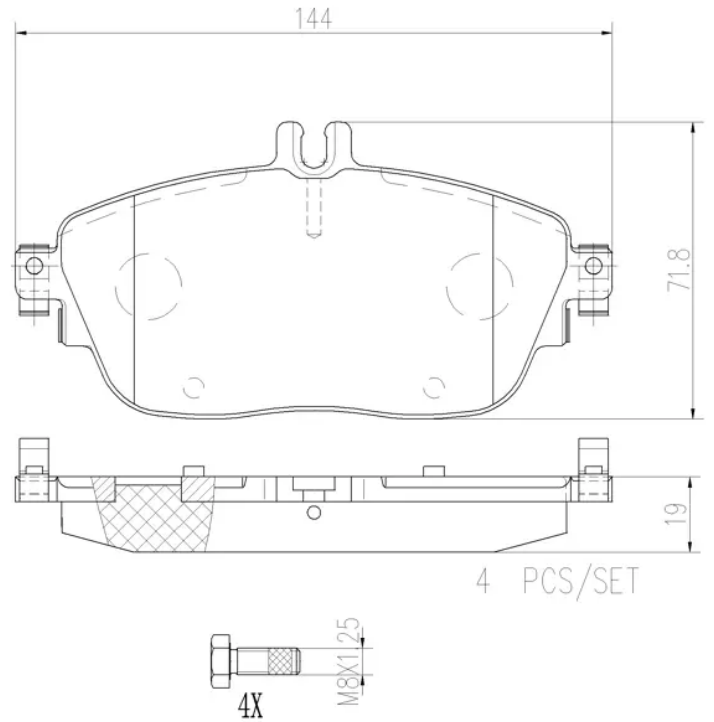
Brembo NAO brake pads stand out for their ultimate braking comfort, reduced friction wear and low dust mission, which makes for cleaner rims and reduced maintenance requirements. The advanced friction material in keeping with the strictest environmental standards is the main distinguishing feature of NAO compounds.

- ✓ OE-equivalent
- ✓ Brembo quality
- ✓ Safety
- ✓ Comfort
- ✓ Durability
- ✓ Dust reduction
- ✓ With accessories



Technical specifications

EAN code	Axle	Thickness
8020584082546	Front and rear	19 mm
Width	Height	Braking system
144 mm	72 mm	TRW
Wear indicator	WVA number	Accessories
Prepared for wear indicator	24869	With accessories With anti-squeal shim With brake caliper bolts



COMPATIBLE VEHICLES

COMPATIBLE OE PART NUMBERS

410605DA0A	INFINITI
410605DA0B	INFINITI
41060HG00C	INFINITI
41060HG00D	INFINITI
0004203002	MERCEDES-BENZ
0004209104	MERCEDES-BENZ
0064200620	MERCEDES-BENZ
0064204620	MERCEDES-BENZ
0064204720	MERCEDES-BENZ
0064208520	MERCEDES-BENZ
0074207020	MERCEDES-BENZ
0084200320	MERCEDES-BENZ
0084200620	MERCEDES-BENZ
A0004203002	MERCEDES-BENZ
A0004209104	MERCEDES-BENZ
A0064200620	MERCEDES-BENZ
A0064204620	MERCEDES-BENZ
A0064204720	MERCEDES-BENZ
A0064208520	MERCEDES-BENZ
A0074207020	MERCEDES-BENZ
A0084200320	MERCEDES-BENZ
A0084200620	MERCEDES-BENZ