



BRAKE PAD PRIME CERAMIC P50095N

The P50095N NAO brake pad is synonymous with reliability

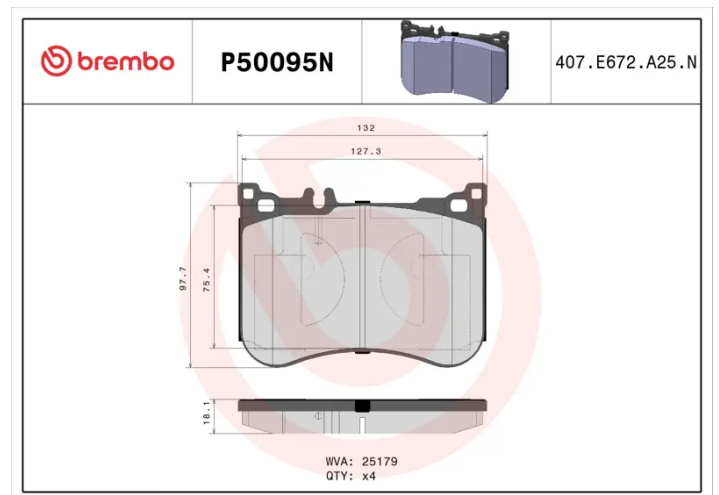
Brembo NAO brake pads stand out for their ultimate braking comfort, reduced friction wear and low dust mission, which makes for cleaner rims and reduced maintenance requirements. The advanced friction material in keeping with the strictest environmental standards is the main distinguishing feature of NAO compounds.

- ✓ OE-equivalent
- ✓ Brembo quality
- ✓ Safety
- ✓ Comfort
- ✓ Durability
- ✓ Dust reduction
- ✓ With accessories



Technical specifications

EAN code 8020584083703	Axle Front	Thickness 18 mm
Width 132 mm	Height 98 mm	Braking system Brembo
Wear indicator Prepared for wear indicator	WVA number 25179	Accessories With anti-squeal shim



COMPATIBLE VEHICLES

COMPATIBLE OE PART NUMBERS

0004203305 MERCEDES-BENZ

0004204404 MERCEDES-BENZ

0064205020 MERCEDES-BENZ

0064209320 MERCEDES-BENZ

0074203320 MERCEDES-BENZ

0084200220 MERCEDES-BENZ

0084200920 MERCEDES-BENZ

0084203320 MERCEDES-BENZ

A0004203305 MERCEDES-BENZ

A0004204404 MERCEDES-BENZ

A0064205020 MERCEDES-BENZ

A0064209320 MERCEDES-BENZ

A0074203320 MERCEDES-BENZ

A0084200220 MERCEDES-BENZ

A0084200920 MERCEDES-BENZ

A0084203320 MERCEDES-BENZ
