



BRAKE PAD XTRA CERAMIC P50117NX

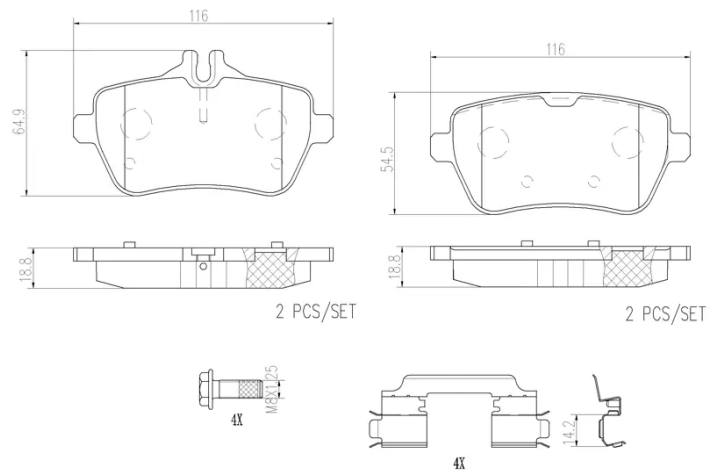
Xtra Ceramic brake pad P50117NX belongs to Brembo Cool Line

Brembo Xtra Ceramic brake pads have a specific compound which, beside being copper free, also contains less metal compared to Xtra pads. This feature make Xtra Ceramic more focused on comfort and cleaner rims, thanks to the ceramic friction material, while guaranteeing the top performance proper of the Xtra line. Xtra Ceramic range is fully ECE R90 homologated.

- ✓ OE-equivalent
- ✓ Brembo quality
- ✓ ECE-R90 certificate
- ✓ Safety
- ✓ Performance
- ✓ Dust reduction
- ✓ Comfort
- ✓ With accessories

Technical specifications

EAN code 8020584130896	Axle Rear	Thickness 19 mm
Width 116 mm	Height 55 mm	Braking system TRW
Wear indicator Prepared for wear indicator	WVA number 25071,25072	Accessories With accessories With anti-squeal shim With brake caliper bolts



COMPATIBLE OE PART NUMBERS

0004203105 MERCEDES-BENZ

0064205720 MERCEDES-BENZ

0064209220 MERCEDES-BENZ

0074202820 MERCEDES-BENZ

0084200820 MERCEDES-BENZ

0084202220 MERCEDES-BENZ

A0004203105 MERCEDES-BENZ

A000420310564 MERCEDES-BENZ

A0064205720 MERCEDES-BENZ

A0064209220 MERCEDES-BENZ

A0074202820 MERCEDES-BENZ

A0084200820 MERCEDES-BENZ

A0084202220 MERCEDES-BENZ
