



# BRAKE PAD PRIME CERAMIC P61086N

The P61086N NAO brake pad is synonymous with reliability

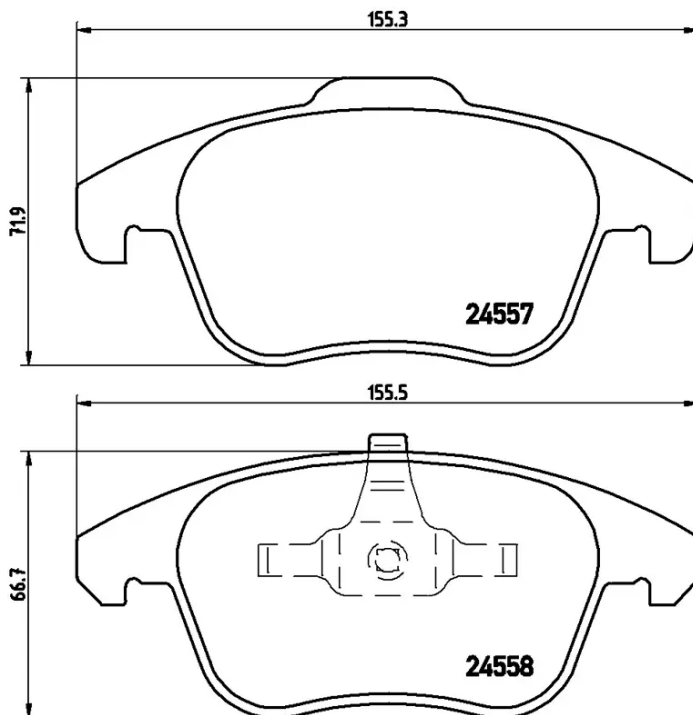
Brembo NAO brake pads stand out for their ultimate braking comfort, reduced friction wear and low dust mission, which makes for cleaner rims and reduced maintenance requirements. The advanced friction material in keeping with the strictest environmental standards is the main distinguishing feature of NAO compounds.

- ✓ OE-equivalent
- ✓ Brembo quality
- ✓ Safety
- ✓ Comfort
- ✓ Durability
- ✓ Dust reduction
- ✓ With accessories



## Technical specifications

EAN code <b>8020584114100</b>	Axle <b>Front</b>	Thickness <b>18 mm</b>
Width <b>155 mm</b>	Height <b>67 mm</b>	Braking system <b>Teves</b>
Wear indicator <b>Without</b>	WVA number <b>24557,24558</b>	Accessories <b>With accessories With anti-squeal shim With piston clip</b>



## COMPATIBLE OE PART NUMBERS

1647862580	CITROËN
------------	---------

1647874080	CITROËN
------------	---------

1675901280	CITROËN
------------	---------

425362	CITROËN
--------	---------

425397	CITROËN
--------	---------

1647862580	DS
------------	----

1647862680	OPEL
------------	------

1647862580	PEUGEOT
------------	---------