



BRAKE PAD PRIME CERAMIC P61115N

The P61115N NAO brake pad is synonymous with reliability

Brembo NAO brake pads stand out for their ultimate braking comfort, reduced friction wear and low dust mission, which makes for cleaner rims and reduced maintenance requirements. The advanced friction material in keeping with the strictest environmental standards is the main distinguishing feature of NAO compounds.

- ✓ OE-equivalent
- ✓ Brembo quality
- ✓ Safety
- ✓ Comfort
- ✓ Durability
- ✓ Dust reduction
- ✓ With accessories



Technical specifications

EAN code
8020584089545

Axle
Front

Thickness
17 mm

Width
180 mm

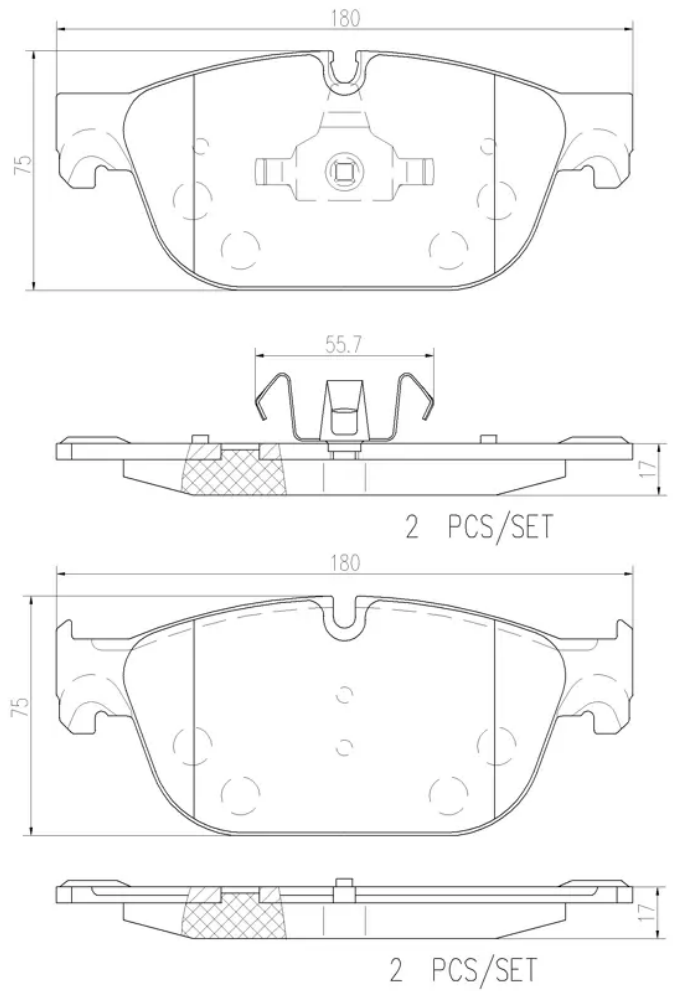
Height
75 mm

Braking system
Teves

Wear indicator
Prepared for wear indicator

WVA number
25069,25070

Accessories
**With accessories
With anti-squeal shim
With piston clip**



COMPATIBLE VEHICLES

COMPATIBLE OE PART NUMBERS

1610104080	CITROËN
1617272580	CITROËN
1610104080	DS
1617272580	DS
1622160180	DS (CAPSA)
1610104080	PEUGEOT
1617272580	PEUGEOT