



# BRAKE PAD PRIME CERAMIC P65035N

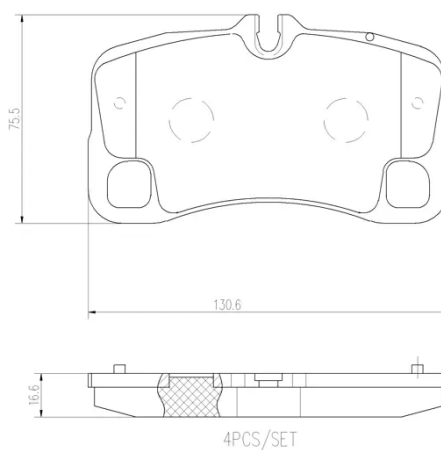
The P65035N NAO brake pad is synonymous with reliability

Brembo NAO brake pads stand out for their ultimate braking comfort, reduced friction wear and low dust mission, which makes for cleaner rims and reduced maintenance requirements. The advanced friction material in keeping with the strictest environmental standards is the main distinguishing feature of NAO compounds.

- ✓ OE-equivalent
- ✓ Brembo quality
- ✓ Safety
- ✓ Comfort
- ✓ Durability
- ✓ Dust reduction
- ✓ With accessories

## Technical specifications

EAN code	Axle	Thickness
<b>8020584119730</b>	<b>Rear</b>	<b>18 mm</b>
Width	Height	Braking system
<b>131 mm</b>	<b>75 mm</b>	<b>Brembo</b>
Wear indicator	WVA number	Accessories
<b>Prepared for wear indicator</b>	<b>24154</b>	<b>With anti-squeal shim</b>



COMPATIBLE VEHICLES

## COMPATIBLE OE PART NUMBERS

99735294700 PORSCHE

---

99735294701 PORSCHE

---

99735294704 PORSCHE

---

99735294792 PORSCHE

---

99735294793 PORSCHE

---

99735294795 PORSCHE

---

99735294797 PORSCHE

---