

Technische gegevens remblok

As
Voor, Achter

WVA
20009

Breedte
55,4 mm

Dikte
15 mm

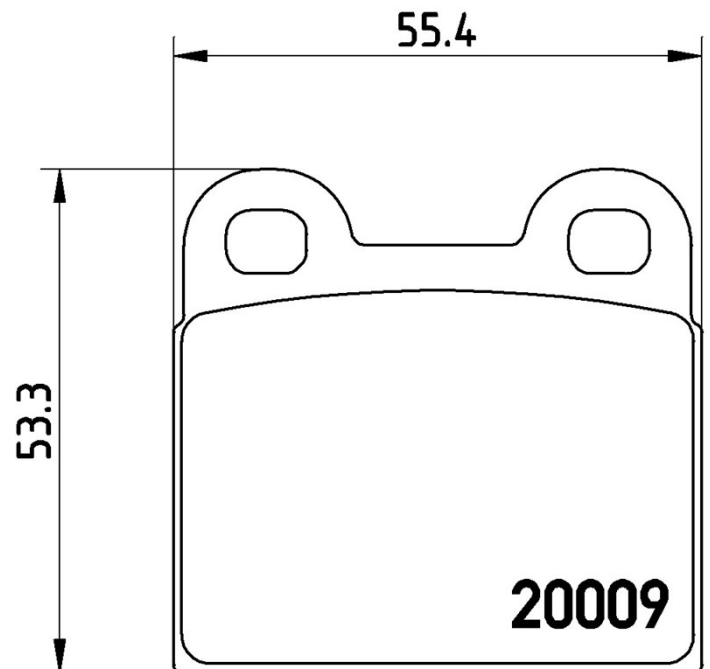
Hoogte
53,3 mm

Remsysteem
Teves

Accessoires

Slijtindicator
Zonder

EAN-code
8020584050019



Compatibele voertuigen

ALFA ROMEO				
Model	Type	Kw	Jaar	
GIULIA (105_)	1.8 D	38	06/76 12/78	
GIULIA (105_)	1300 Super (115)	64	01/74 12/78	
GIULIA (105_)	1300 TI (105,39)	62	04/69 07/75	
GIULIA (105_)	1600 Super (105,14)	71	06/64 08/69	
GIULIA (105_)	1600 Super (115)	76	01/74 12/78	
GT (105_)	1300 Junior (105)	64	01/66 12/77	
GT (105_)	1600 (105)	80	01/66 12/68	

GT (105_)	1600 (105)	75	03/63 12/66
GT (105_)	1600 (115)	80	06/71 12/77
GT (105_)	1600 (115)	76	09/72 12/77
GT (105_)	A 1600 (105)	83	01/65 12/70
GT (105_)	V 1750 (105)	83	01/67 12/72
GT (105_)	V 2000 (105)	96	01/71 12/77
MONTREAL (105_)	2.6 (105,64)	143	12/72 03/79
SPIDER (105_)	1300	64	01/68 12/77
SPIDER (105_)	1750	83	01/67 12/71
SPIDER (105_)	2000	96	01/71 12/77
SPIDER (115_)	1600	79	01/90 12/93
SPIDER (115_)	1600	80	03/71 12/79
SPIDER (115_)	1600	76	03/76 12/90
SPIDER (115_)	2000	93	01/77 12/93
SPIDER (115_)	2000	88	01/90 12/93
SPIDER (115_)	2000	85	08/86 12/90
SPIDER (115_)	2000	92	08/86 12/90

AUTO UNION

Model	Type	Kw	Jaar
DKWF12	0.9	33	01/65 08/66
DKWF12	0.9	29	10/63 06/65
DKWF12 Convertible	0.9	33	11/62 06/65

DAF

Model	Type	Kw	Jaar
55	1.1	33	10/67 09/72
55	1.1 MARATHON	40	12/71 09/72
55 Coupe	1.1	33	05/68 09/72
55 Coupe	1.1 MARATHON	40	12/71 09/72
55 Estate	1.1	33	10/68 09/72
66	1.1	35	10/72 08/75
66	1.1 SL	40	10/72 08/75
66	1300 MARATHON	42	09/73 08/75

66 Coupe	1300 MARATHON	42	09/73 08/75
66 Estate	1.1	35	10/72 08/75
66 Estate	1.1 MARATHON	40	10/72 08/75
66 Estate	1300 MARATHON	42	09/73 08/75

PORSCHE

Model	Type	Kw	Jaar
356 Cabriolet/Speedster	C 1600	55	01/63 12/65
356 Cabriolet/Speedster	C 1600 SC	70	01/63 12/65
356 Coupe	C 1600	55	01/63 12/65
356 Coupe	C 1600 SC	70	01/63 12/65
911	2.0 L	96	01/63 12/68
911	2.0 L	110	08/67 11/68

SAAB

Model	Type	Kw	Jaar
90	2.0	74	08/84 08/87
900 I (AC4, AM4)	2.0	80	09/83 03/84
900 I (AC4, AM4)	2.0	74	10/85 09/88
900 I (AC4, AM4)	2.0 -16	92	01/86 12/88
900 I (AC4, AM4)	2.0 c	74	07/82 12/88
900 I (AC4, AM4)	2.0 c	79	11/80 08/84
900 I (AC4, AM4)	2.0 EMS	87	01/79 12/80
900 I (AC4, AM4)	2.0 i	81	09/85 08/90
900 I (AC4, AM4)	2.0 i	85	11/80 08/90
900 I (AC4, AM4)	2.0 Turbo	110	01/86 12/88
900 I (AC4, AM4)	2.0 Turbo	107	10/80 07/85
900 I (AC4, AM4)	2.0 Turbo	103	10/86 12/91
900 I (AC4, AM4)	2.0 Turbo-16	118	11/85 12/93
900 I (AC4, AM4)	2.0 Turbo-16 S	129	01/84 12/88
900 I Combi Coupe	2.0	74	04/84 10/91
900 I Combi Coupe	2.0	80	06/78 03/84
900 I Combi Coupe	2.0 -16	92	01/86 12/88
900 I Combi Coupe	2.0 c	79	09/78 08/84

900 I Combi Coupe	2.0 c	74	09/79 12/88
900 I Combi Coupe	2.0 EMS	87	09/78 08/79
900 I Combi Coupe	2.0 i	81	09/85 08/90
900 I Combi Coupe	2.0 i	85	11/80 12/88
900 I Combi Coupe	2.0 T8	114	10/86 09/89
900 I Combi Coupe	2.0 Turbo	110	01/86 12/88
900 I Combi Coupe	2.0 Turbo	107	09/78 07/85
900 I Combi Coupe	2.0 Turbo	103	10/86 12/91
900 I Combi Coupe	2.0 Turbo-16	118	11/85 06/94
900 I Combi Coupe	2.0 Turbo-16 S	129	02/84 12/88
900 I Convertible	2.0	81	10/85 09/89
900 I Convertible	2.0 Turbo-16	118	11/86 06/94
900 I Convertible	2.0 Turbo-16 S	129	11/86 06/94
99	2.0	70	10/72 08/74
99	2.0 EMS	81	04/72 08/74
99	2.0 EMS	87	09/74 12/78
99	2.0 GL	74	09/74 12/84
99 Combi Coupe	2.0	79	03/76 05/78
99 Combi Coupe	2.0 i	87	01/81 12/84
99 Combi Coupe	2.0 Turbo	107	10/77 06/80

TALBOT

Model	Type	Kw	Jaar
SIMCA 1100 Break/Tourisme	1.1	44	10/76 09/79
SIMCA 1100 Break/Tourisme	1.3 Spezial	55	07/74 11/76
SIMCA 1100 Hatchback	1.1 LE,LX,GLS,ES	37	10/76 01/80
SIMCA 1100 Hatchback	1.1 LE,LX,GLS,ES	43	10/76 01/80
SIMCA 1100 Hatchback	1.1 LS,GLS	44	10/68 05/76
SIMCA 1100 Hatchback	1.1 LS,GLS	40	11/73 09/77

VOLVO

Model	Type	Kw	Jaar
66 (31, 36)	DL 1.1	33	08/75 08/78
66 (31, 36)	GL 1.3	42	08/75 08/78

66 Estate (64)	DL 1.1	33	10/75 11/79
66 Estate (64)	GL 1.3	42	10/75 11/79
VW			
Model	Type	Kw	Jaar
BRASILIA	1.6	44	10/73 12/82
KAEFER	1200	26	04/60 09/66
KAEFER	1200 1.2 (11)	25	01/60 12/85
KAEFER	1300	28	01/68 12/86
KAEFER	1300 1.3 (11)	32	01/70 01/73
KAEFER	1302 1.2 (11)	25	08/69 08/72
KAEFER	1302 1.3 (11)	32	08/70 08/72
KAEFER	1302 1.6	35	07/71 07/74
KAEFER	1302 1.6 (11)	37	01/70 08/72
KAEFER	1500 1.5 (11)	32	08/66 11/73
KAEFER	1500 1.6	37	07/70 01/73
KAEFER	1600 (Mexico)	34	05/73 09/92
KAEFER	1600 i (Mexico)	34	10/92 07/03
KAEFER Convertible (15)	1302 1.3	29	08/70 07/74
KAEFER Convertible (15)	1302 1.6	34	08/70 07/74
KAEFER Convertible (15)	1302,1303 1.6	37	07/70 06/79
KAEFER Convertible (15)	1303 1.3	32	07/70 03/81
KAEFER Convertible (15)	1303 1.6	35	08/70 07/74
KARMANN GHIA Coupe (14, 34)	1600	37	01/70 12/73

OE-codes

Compatibele OE-codes

ALFA ROMEO	0060712608
ALFA ROMEO	0060714402
ALFA ROMEO	0060714404
ALFA ROMEO	0060723585
ALFA ROMEO	10514260040225
ALFA ROMEO	10526260030025

ALFA ROMEO	10526260030030
ALFA ROMEO	10548260030130
ALFA ROMEO	60712608
ALFA ROMEO	60714404
ALFA ROMEO	60723585
ALFA ROMEO	60724237
AUDI	1BM698151A
AUDI	1BM698151B
AUDI	311698151
AUDI	311698151A
AUDI	311698151B
AUDI	311698151D
AUSTIN	NAM1015
BMW	34211103209
BMW	34211103322
BMW	34211103746
CITROËN	424891
CITROËN	425179
DAF	502808
DAF	892349
MG	NAM1015
OPEL	1605120
OPEL	1605147
OPEL	1605148
OPEL	1605204
OPEL	1605706
OPEL	1605707
OPEL	90297400
PORSCHE	90135191213
PORSCHE	90135196335
PORSCHE	90135296301

PORSCHE	90135296337
PORSCHE	90135299700
PORSCHE	91135293901
PORSCHE	91135293902
SAAB	8910499
SAAB	8961856
SAAB	8993230
SAAB	8993297
SAAB	8994832
SAAB	8994980
SAAB	9101916
SAAB	9102716
SEAT	1BM698151A
SEAT	1BM698151B
SEAT	311698151
SEAT	311698151A
SEAT	311698151B
SEAT	311698151D
SKODA	1BM698151A
SKODA	1BM698151B
SKODA	311698151
SKODA	311698151A
SKODA	311698151B
SKODA	311698151D
TALBOT	0016837400
TALBOT	13582800
VOLVO	3100021
VOLVO	3343838
VW	1BM698151A
VW	1BM698151B
VW	311698151

VW	311698151A
----	------------

VW	311698151B
----	------------

VW	311698151D
----	------------

WELDING INDUSTRIES	7200D30
--------------------	---------
