



BEYOND EV PAD P 08 001E

The P 08 001E brake pad is designed for electric cars

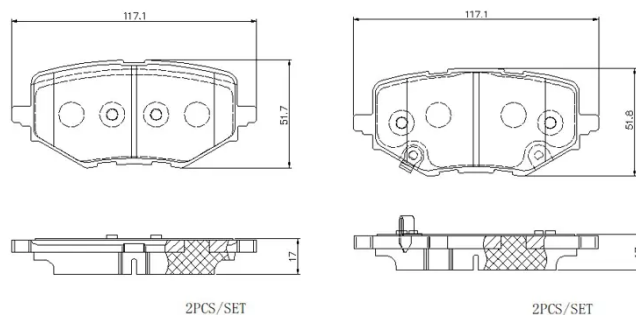
The use of regenerative braking, in electric vehicles, entails a more discontinuous use of the friction brake compared to a car with a combustion engine. For this reason, special attention is required to avoid the corrosion of brake discs and brake pads. The Brembo EV brake pad is coated with a special protective treatment, and when used in combination with Brembo EV brake discs, it avoids early corrosion of the braking system, guaranteeing silent and effective braking.



- ✓ Brembo quality
- ✓ ECE-R90 certificate
- ✓ Comfort
- ✓ Durability
- ✓ Anti-corrosion

Technical specifications

EAN code	Axle	Thickness
8020584123492	Rear	17 mm
Width	Height	
117 mm	52 mm	
Wear indicator	Accessories	
Acoustic	With anti-squeal shim	



COMPATIBLE OE PART NUMBERS

3520H01ED1	XPENG
3520H01ED10001	XPENG