



# BRAKE PAD

## P 16 014

The P 16 014 brake pad is synonymous with reliability

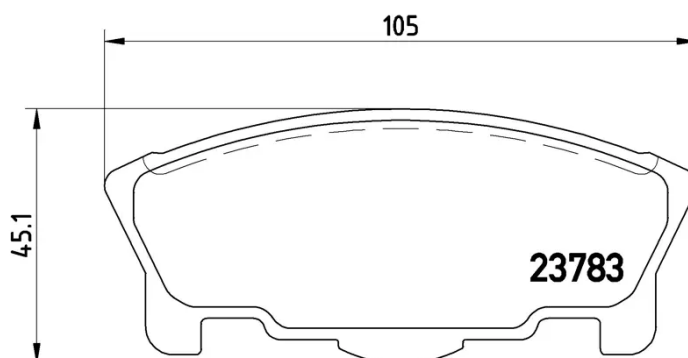
The Brembo brake pad guarantees ultimate safety when braking thanks to the use of more than 100 different compounds, designed according to the type of vehicle and use. Stopping distances reduced to a minimum, maximum driving comfort and silent operation are the most important features of Brembo materials. Brembo brake pads are supplied together with an extensive range of accessories and assembly kits for professional-standard installation.

- ✓ OE-equivalent
- ✓ Brembo quality
- ✓ ECE-R90 certificate
- ✓ Safety
- ✓ Performance
- ✓ Comfort



### Technical specifications

EAN code	Axle	Thickness
<b>8020584060247</b>	<b>Front</b>	<b>14 mm</b>
Width	Height	Braking system
<b>105 mm</b>	<b>45 mm</b>	<b>Akebono</b>
Wear indicator	WVA number	Accessories
<b>Without</b>	<b>23783</b>	<b>With anti-squeal shim</b>



COMPATIBLE VEHICLES

## COMPATIBLE OE PART NUMBERS

0449187210000 DAIHATSU

---

0449187215000 DAIHATSU

---

0449187219000 DAIHATSU

---

0449187226 DAIHATSU

---

0449187226000 DAIHATSU

---

0449187230000 DAIHATSU

---

04491L510S000 DAIHATSU

---

449187226000 DAIHATSU

---

AY040KE009 NISSAN

---