

Technische gegevens remblok

As
Achter

WVA
21275, 21276

Breedte
123 mm

Dikte
16,9 mm

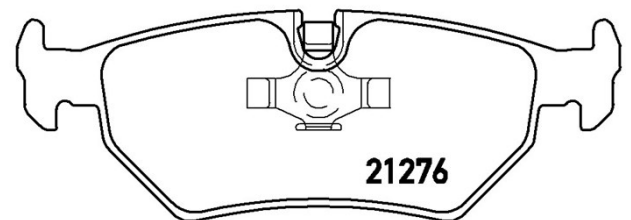
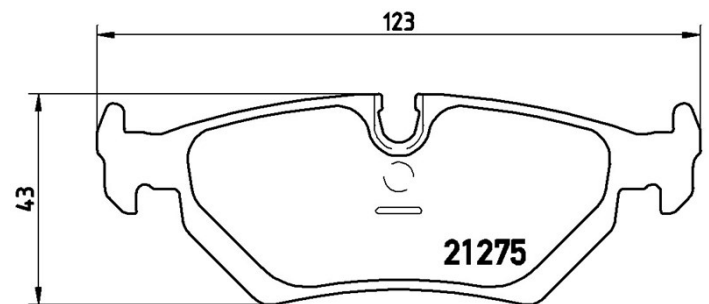
Hoogte
43 mm

Remsysteem
Teves

Accessoires

Slijtindicator
Electrische

EAN-code
8020584051320



Compatibele voertuigen

ASTON MARTIN

Model	Type	Kw	Jaar
DB7 Vantage	3.2	233	05/94 06/99

CITROËN

Model	Type	Kw	Jaar
EVASION MPV (22, U6)	1.8	76	02/96 12/96
EVASION MPV (22, U6)	1.8	73	05/97 07/02
EVASION MPV (22, U6)	1.9 TD	68	10/95 12/98
EVASION MPV (22, U6)	1.9 TD	66	11/94 07/02
EVASION MPV (22, U6)	2.0	89	06/94 07/02
EVASION MPV (22, U6)	2.0 16V	100	05/00 07/02

EVASION MPV (22, U6)	2.0 16V	97	05/98 04/00
EVASION MPV (22, U6)	2.0 HDI	80	08/99 07/02
EVASION MPV (22, U6)	2.0 HDI 16V	80	09/99 07/02
EVASION MPV (22, U6)	2.0 Turbo C.T.	108	06/94 07/02
EVASION MPV (22, U6)	2.1 TD	80	05/96 07/02

FIAT

Model	Type	Kw	Jaar
ULYSSE (220_)	1.8 (220.BB5)	73	05/97 08/02
ULYSSE (220_)	1.9 TD (220AH5)	66	02/95 08/02
ULYSSE (220_)	2.0 (220.AC5)	89	06/94 08/02
ULYSSE (220_)	2.0 16V	97	05/98 09/00
ULYSSE (220_)	2.0 16V	100	09/00 08/02
ULYSSE (220_)	2.0 JTD	80	10/99 08/02
ULYSSE (220_)	2.0 JTD 16V	80	05/99 08/02
ULYSSE (220_)	2.0 Turbo (220.AD5)	108	06/94 08/02
ULYSSE (220_)	2.1 TD	80	03/96 10/99

LANCIA

Model	Type	Kw	Jaar
ZETA (22_)	2.0 16V (220AL5)	97	05/98 07/00
ZETA (22_)	2.0 16V (220AQ5)	100	07/00 09/02
ZETA (22_)	2.0 JTD	80	04/00 09/02
ZETA (22_)	2.0 JTD 16V (220AN5)	80	09/99 09/02
ZETA (22_)	2.0 Turbo (220AD5, 220CD5)	108	05/95 09/02
ZETA (22_)	2.1 TD (220AJ5)	80	05/96 09/99

PEUGEOT

Model	Type	Kw	Jaar
806 (221)	1.8	73	07/95 08/02
806 (221)	1.9 TD	68	05/97 08/02
806 (221)	1.9 TD	66	07/95 08/02
806 (221)	2.0	89	06/94 08/02
806 (221)	2.0 16V	97	05/98 09/00
806 (221)	2.0 16V	100	09/00 08/02
806 (221)	2.0 HDI	80	08/99 08/02
806 (221)	2.0 HDI 16V	80	08/99 08/02

806 (221)	2.0 Turbo	108	06/94 08/02
806 (221)	2.1 td 12V	80	06/96 08/99

OE-codes

Compatibele OE-codes

CITROËN	425111
CITROËN	425112
CITROËN	425466
CITROËN	E172279
FIAT	71773142
FIAT	9404251248
FIAT	9404254668
PEUGEOT	425111
PEUGEOT	425112
PEUGEOT	425466
PEUGEOT	E172279