

Technische gegevens remblok

As
Voor

WVA
22165, 22166, 22167

Breedte
140,9 mm

Dikte
20,5 mm

Hoogte
63,3 mm

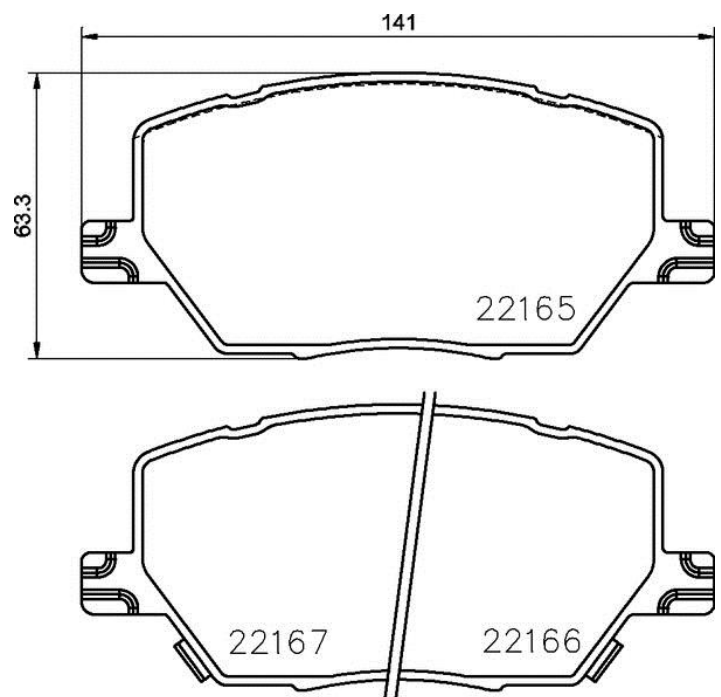
Remsysteem
Mando

Accessoires

Slijtindicator
Akoestische

EAN-code
8020584081006





Compatibele voertuigen

FIAT				
Model	Type	Kw	Jaar	
500X (334_)	1.4	119	01/16 -	
500X (334_)	1.4 4x4	120	02/15 -	
500X (334_)	1.4 4x4	125	02/15 -	
500X (334_)	1.6	81	11/14 -	
500X (334_)	1.6 D Multijet	84	09/14 -	
500X (334_)	2.0 D Multijet 4x4	100	09/14 -	
500X (334_)	2.0 D Multijet 4x4	103	09/14 -	
500X (334_)	2.4	138	01/16 -	
500X (334_)	2.4	134	05/15 -	

500X (334_)	2.4 4x4	134	05/15 -
500X (334_)	2.4 4x4	135	05/15 -
JEEP			
Model	Type	Kw	Jaar
COMPASS (MP)	1.4 MultiAir	103	03/17 -
COMPASS (MP)	1.4 MultiAir All-wheel Drive	125	03/17 -
COMPASS (MP)	1.6 CRD	88	03/17 -
COMPASS (MP)	2.0 CRD 4x4	103	03/17 -
COMPASS (MP)	2.0 CRD 4x4	125	12/16 -
COMPASS (MP)	2.4	134	09/17 -
COMPASS (MP)	2.4 4x4	134	09/17 -
COMPASS (MP)	2.4 MultiAir	129	09/17 -
COMPASS (MP)	2.4 MultiAir 4x4	129	09/17 -
RENEGADE Closed Off-Road Vehicle (BU, B1)	1.4	119	07/14 -
RENEGADE Closed Off-Road Vehicle (BU, B1)	1.4 4x4	119	07/14 -
RENEGADE Closed Off-Road Vehicle (BU, B1)	2.0 CRD 4x4	88	07/14 -
RENEGADE Closed Off-Road Vehicle (BU, B1)	2.0 CRD 4x4	103	07/14 -
RENEGADE Closed Off-Road Vehicle (BU, B1)	2.0 CRD 4x4	125	07/14 -
RENEGADE Closed Off-Road Vehicle (BU, B1)	2.4	134	06/16 -
RENEGADE Closed Off-Road Vehicle (BU, B1)	2.4	137	07/14 -
RENEGADE Closed Off-Road Vehicle (BU, B1)	2.4	129	09/15 -
RENEGADE Closed Off-Road Vehicle (BU, B1)	2.4	132	09/15 -
RENEGADE Closed Off-Road Vehicle (BU, B1)	2.4 4x4	134	06/16 -
RENEGADE Closed Off-Road Vehicle (BU, B1)	2.4 4x4	137	07/14 -
RENEGADE Closed Off-Road Vehicle (BU, B1)	2.4 4x4	129	09/15 -
RENEGADE Closed Off-Road Vehicle (BU, B1)	2.4 4x4	132	09/15 -

OE-codes

Compatibele OE-codes

CHRYSLER	00K68379582AA
FIAT	77367214
JEEP	77367214
JEEP	77367936
JEEP	77368211

JEEP

K68346986AA

JEEP

K68379582AA
