



BRAKE PAD

P 28 106

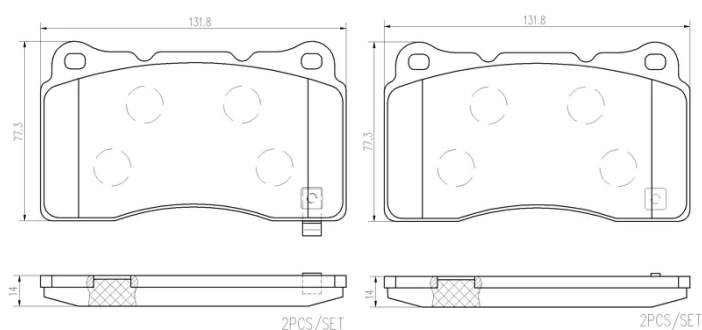
The P 28 106 brake pad is synonymous with reliability

The Brembo brake pad guarantees ultimate safety when braking thanks to the use of more than 100 different compounds, designed according to the type of vehicle and use. Stopping distances reduced to a minimum, maximum driving comfort and silent operation are the most important features of Brembo materials. Brembo brake pads are supplied together with an extensive range of accessories and assembly kits for professional-standard installation.

- ✓ OE-equivalent
- ✓ Brembo quality
- ✓ ECE-R90 certificate
- ✓ Safety
- ✓ Performance
- ✓ Comfort

Technical specifications

EAN code	Axle	Thickness
8020584115985	Front	15 mm
Width	Height	
132 mm	77 mm	
Wear indicator	Accessories	
Acoustic	With anti-squeal shim	



COMPATIBLE VEHICLES

COMPATIBLE OE PART NUMBERS

85138463 CADILLAC (SGM)

45022TGHA01 HONDA

45022TGHA02 HONDA

4605B923 MITSUBISHI (SOUEAST)

26296VA040 SUBARU

SU00307217 TOYOTA
