

Technische gegevens remblok

As

Achter

WVA

23424

Breedte

114,1 mm

Dikte

17,8 mm

Hoogte

49,5 mm

Remsysteem

Lucas

Accessoires

Met accessoires

Met remklauw schroeven

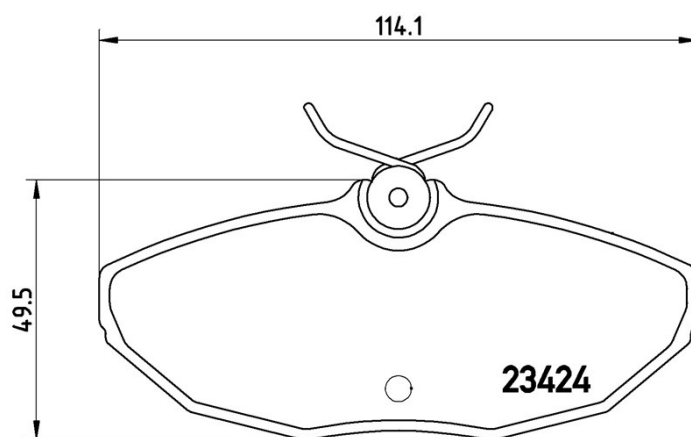
Slijtindicator

Zonder



EAN-code

8020584053065



Compatibele voertuigen

DAIMLER

Model	Type	Kw	Jaar
SUPER EIGHT (X350)	4.2	291	09/05 12/09

FORD USA

Model	Type	Kw	Jaar
THUNDERBIRD Convertible	4.0	188	02/00 12/02
THUNDERBIRD Convertible	4.0 Premium	209	10/02 09/05

JAGUAR

Model	Type	Kw	Jaar
S-TYPE (X200)	2.5 V6	147	04/02 10/07
S-TYPE (X200)	2.7 D	152	06/04 10/07
S-TYPE (X200)	3.0 V6	175	01/99 10/07
S-TYPE (X200)	4.0 V8	203	01/99 04/02

S-TYPE (X200)	4.0 V8	209	09/99 12/02
S-TYPE (X200)	4.2 V8	219	04/02 10/07
XJ (X350)	3.0	179	04/04 01/07
XJ (X350)	3.0	175	05/03 03/09
XJ (X350)	3.6	190	05/03 03/09
XJ (X350)	4.2	224	05/07 03/09
XJ (X350)	4.2	219	05/03 03/09
XJ (X350)	D 2.7	152	10/05 03/09

LINCOLN

Model	Type	Kw	Jaar
LS	3.0	163	09/00 08/03
LS	3.0	173	09/03 08/06
LS	3.0 V6 24V	140	05/98 -
LS	3.9 V8 32V	180	05/98 -
LS	4.0	209	09/02 08/06
LS	4.0 V8 32V	180	05/98 -

OE-codes

Compatibele OE-codes

FORD	1W4Z2200AA
FORD	4W4Z2200AA
FORD	XW4Z2200AA
JAGUAR	C2C022316
JAGUAR	C2C20585
JAGUAR	C2C22316
JAGUAR	C2C40194
JAGUAR	XR812436
JAGUAR	XR848934
LINCOLN	XW4ZA2200AA