

Technische gegevens remblok

As
Achter

WVA
20344

Breedte
88,7 mm

Dikte
15 mm

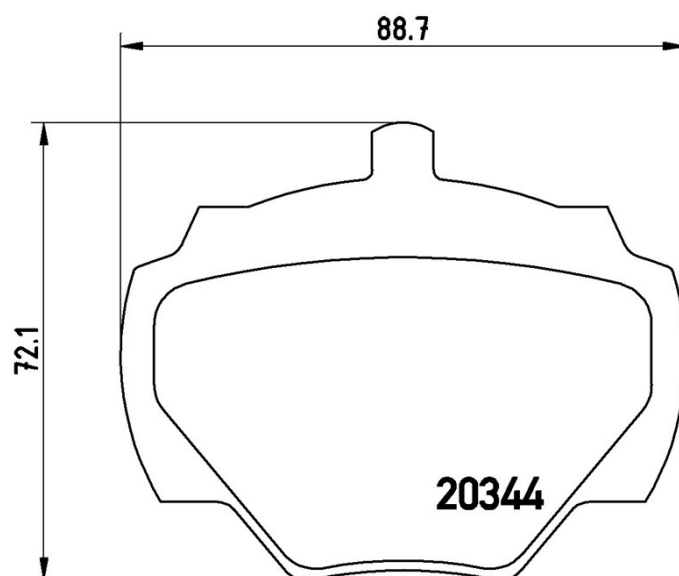
Hoogte
72,1 mm

Remsysteem
Lockheed

Accessoires

Slijtindicator
Zonder

EAN-code
8020584053249



Compatibele voertuigen

LAND ROVER

Model	Type	Kw	Jaar
DEFENDER Cabrio (L316)	2.2 Td4 4x4 (L317)	90	08/11 02/16
DEFENDER Cabrio (L316)	2.4 Td4 4x4 (L317)	90	05/07 02/16
DEFENDER Cabrio (L316)	2.5 D 4x4 (L316)	51	09/90 09/01
DEFENDER Cabrio (L316)	2.5 Td5 4x4 (L316)	90	06/98 02/16
DEFENDER Cabrio (L316)	2.5 TDI 4x4 (L316)	83	08/90 12/01
DEFENDER Cabrio (L316)	3.5 4x4	100	09/90 12/98
DEFENDER Cabrio (L316)	3.9 4x4	134	04/98 09/00
DEFENDER Pickup (L316)	2.2 Td4 4x4 (L317)	90	08/11 02/16
DEFENDER Pickup (L316)	2.4 Td4 4x4 (L317)	90	05/07 02/16

DEFENDER Pickup (L316)	2.5 Td5 4x4 (L316)	90	06/98 02/16
DEFENDER Pickup (L316)	2.8 4x4	140	11/98 09/03
DEFENDER Pickup (L316)	4.0 4x4	134	04/98 09/00
DEFENDER Platform/Chassis (L316)	2.2 Td4 4x4 (L317)	90	08/11 02/16
DEFENDER Station Wagon (L316)	2.2 Td4 4x4 (L317)	110	02/15 02/16
DEFENDER Station Wagon (L316)	2.2 Td4 4x4 (L317)	90	08/11 02/16
DEFENDER Station Wagon (L316)	2.4 Td4 4x4 (L316)	90	05/07 02/16
DEFENDER Station Wagon (L316)	2.5 4x4	61	09/90 12/94
DEFENDER Station Wagon (L316)	2.5 D 4x4 (L316)	51	09/90 09/01
DEFENDER Station Wagon (L316)	2.5 Td5 4x4 (L316)	90	06/98 02/16
DEFENDER Station Wagon (L316)	2.5 TDI 4x4 (L316)	83	08/90 12/98
DEFENDER Station Wagon (L316)	3.5 4x4	86	09/90 08/93
DEFENDER Station Wagon (L316)	3.5 4x4	100	09/90 12/98
DEFENDER Station Wagon (L316)	3.9 4x4 (L316)	134	01/93 09/00
DEFENDER Station Wagon (L316)	3.9 V8 4x4 (L316)	136	11/98 02/16
DISCOVERY I (LJ)	4.0 4x4	134	09/93 10/98
RANGE ROVER I	3.5 4x4	97	07/70 08/81
RANGE ROVER I	3.5 Vogue 4x4	93	08/81 09/90

OE-codes

Compatibele OE-codes

LAND ROVER	GBP266
LAND ROVER	GBP271
LAND ROVER	LR032954
LAND ROVER	RTC3164
LAND ROVER	SFP000150
LAND ROVER	SFP000270
LAND ROVER	SFP500190
LAND ROVER	SFP500200
LAND ROVER	STC1276
LAND ROVER	STC2953
LAND ROVER	STC8569
LAND ROVER	STC9147