

## Technische gegevens remblok

**As**  
Achter

**WVA**  
21237, 21238, 21514

**Breedte**  
88,7 mm

**Dikte**  
15 mm

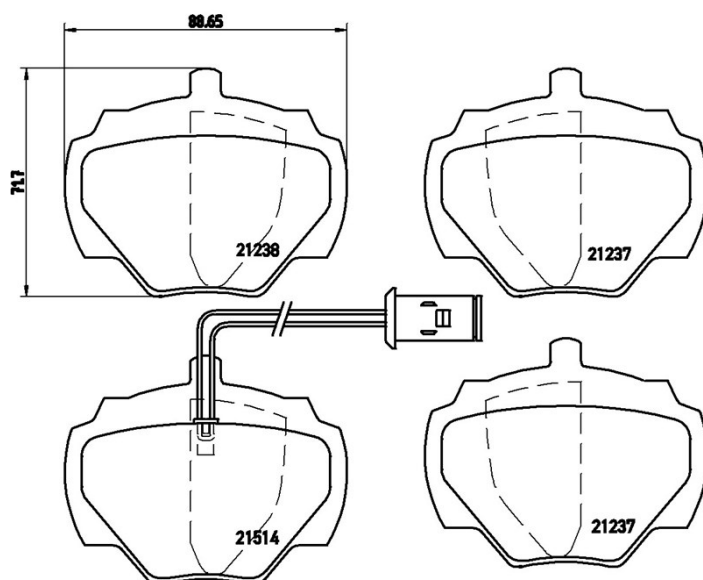
**Hoogte**  
71,7 mm

**Remsysteem**  
Lockheed

**Accessoires**

**Slijtindicator**  
Electrische

**EAN-code**  
8020584053263



## Compatibele voertuigen

### LAND ROVER

Model	Type	Kw	Jaar
DISCOVERY I (LJ)	2.0 16 V 4x4	99	06/89 10/98
DISCOVERY I (LJ)	2.5 D 4x4	90	06/93 10/98
DISCOVERY I (LJ)	2.5 TDI 4x4	83	10/89 10/98
DISCOVERY I (LJ)	3.5 4x4	122	06/89 06/94
DISCOVERY I (LJ)	3.5 4x4	98	06/89 08/90
DISCOVERY I (LJ)	3.5 4x4 (SALLJG)	113	06/89 06/94
RANGE ROVER I	2.4 TD 4x4	83	04/86 07/94
RANGE ROVER I	2.4 TD 4x4	78	04/86 12/90
RANGE ROVER I	2.4 TD 4x4	89	10/89 02/92

RANGE ROVER I	2.5 TD 4x4	89	10/89 04/94
RANGE ROVER I	2.5 TDi 4x4	83	09/91 04/94
RANGE ROVER I	3.5 4x4	107	01/87 09/90
RANGE ROVER I	3.5 4x4	96	10/69 08/91
RANGE ROVER I	3.5 Vogue 4x4	93	08/81 09/90
RANGE ROVER I	3.5 Vogue 4x4	120	10/85 09/90
RANGE ROVER I	3.9 Cat 4x4	127	11/88 07/94
RANGE ROVER I	3.9 Vogue SEI 4x4	134	11/88 07/94
RANGE ROVER I	4.3 Vogue LSE 4x4	149	09/92 07/94

## OE-codes

### Compatibele OE-codes

LAND ROVER	RTC4519
LAND ROVER	RTC5762
LAND ROVER	RTC6591
LAND ROVER	STC1274
LAND ROVER	STC1674
LAND ROVER	STC8570
LAND ROVER	STC9148
LAND ROVER	STC9188
LAND ROVER	STC9189