

## Technische gegevens remblok

**As**  
Voor

**WVA**  
23777, 23778, 23779

**Breedte**  
131,6 mm

**Dikte**  
15 mm

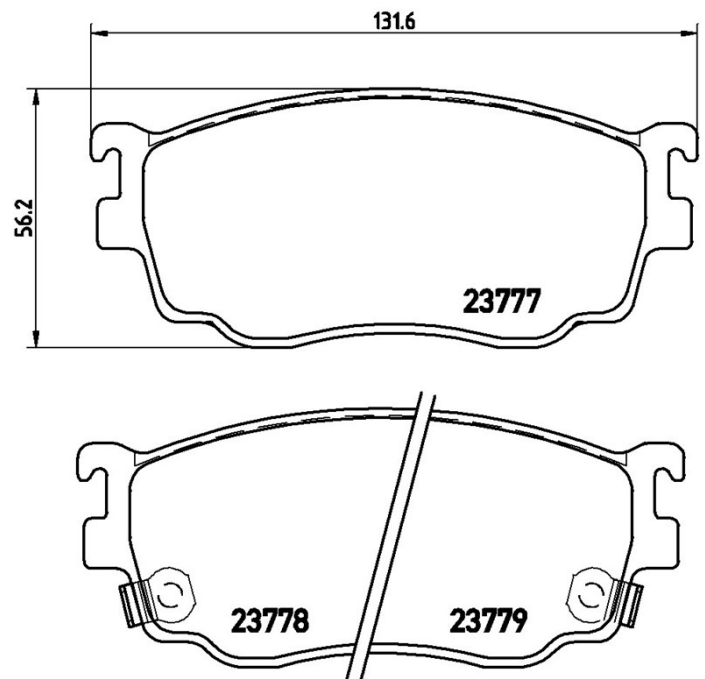
**Hoogte**  
56,3 mm

**Remsysteem**  
Sumitomo

**Accessoires**

**Slijtindicator**  
Akoestische

**EAN-code**  
8020584053638



## Compatibele voertuigen

### BESTURN (FAW)

Model	Type	Kw	Jaar
B50	1.6	76	05/09 -
B50	1.8	102	09/13 -
B70	2.0	108	01/06 12/12
B70	2.0	99	09/06 12/12
B70	2.3	120	01/06 12/12
B70	2.3	118	09/06 12/12
B70	1.8	102	06/12 12/14

**HONGQI**

Model	Type	Kw	Jaar
BESTURN B50	1.6	76	05/09 12/15

**ISUZU**

Model	Type	Kw	Jaar
IMPULSE	1.6	71	01/90 12/93

**MAZDA**

Model	Type	Kw	Jaar
626 V (GF)	2.0	100	04/98 10/02
626 V (GF)	2.0	85	05/97 10/02
626 V Hatchback (GF)	2.0	85	05/97 10/02
626 V Hatchback (GF)	2.0 H.P.	100	02/98 10/02
626 V Station Wagon (GW)	1.8	74	01/00 10/02
626 V Station Wagon (GW)	2.0	85	02/98 10/02
626 V Station Wagon (GW)	2.0 DITD	66	09/99 10/02
626 V Station Wagon (GW)	2.0 H.P.	100	02/98 10/02
626 V Station Wagon (GW)	2.0 TD	81	10/00 10/02
626 V Station Wagon (GW)	2.0 Turbo DI	74	04/98 10/02
PREMACY (CP)	2.0	96	11/01 03/05
PREMACY (CP)	2.0 TD	74	07/00 03/05

**MAZDA (FAW)**

Model	Type	Kw	Jaar
6	2.0	99	04/03 -
6	2.0	108	07/03 -
6	2.3	119	04/03 12/05
6 Estate	2.3	120	04/03 12/09

**OE-codes****Compatibele OE-codes**

MAZDA	1U1G3328Z
MAZDA	CBY33328Z
MAZDA	CBY43323Z
MAZDA	CBY43328Z
MAZDA	G1YC3323Z

MAZDA	G1YC3323ZA
MAZDA	G1YC3323ZB
MAZDA	G1YC3328Z
MAZDA	G1YC3328ZA
MAZDA	G1YC3328ZB
MAZDA	G1YC3328ZC
MAZDA	G1YN3323Z
MAZDA	G1YN3328Z
MAZDA	GDYE3323ZA
MAZDA	GDYE3328ZA
MAZDA	GJYC3328Z
MAZDA	GJYG3328Z
MITSUBISHI	CBY33323Z
MITSUBISHI	G1YN3323ZA
MITSUBISHI	G1YN3328ZA