

## Technische gegevens remblok

**As**  
Voor

**WVA**  
24246, 24248, 24249

**Breedte**  
131,2 mm

**Dikte**  
17,0 mm

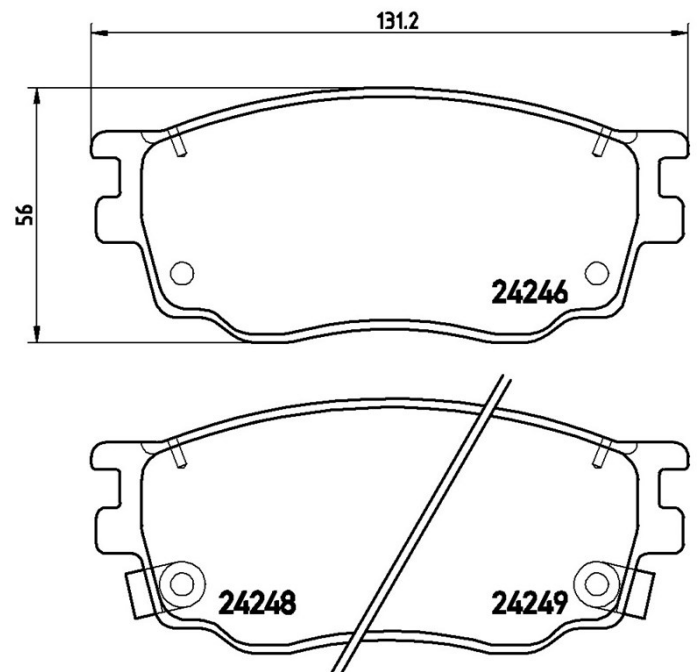
**Hoogte**  
56 mm

**Remsysteem**  
Sumitomo

**Accessoires**

**Slijtindicator**  
Akoestische

**EAN-code**  
8020584053706



## Compatibele voertuigen

### HAWTAI

Model	Type	Kw	Jaar
TERRACAN T9	2.4	93	11/09 12/11
TERRACAN T9	2.4 All-wheel Drive	93	11/09 12/11

### HYUNDAI (HUATAI)

Model	Type	Kw	Jaar
TERRACAN Closed Off-Road Vehicle	2.4	90	10/06 11/09
TERRACAN Closed Off-Road Vehicle	2.5 Turbo	74	03/03 12/08
TERRACAN Closed Off-Road Vehicle	2.5 Turbo 4WD	74	03/03 12/08
TERRACAN Closed Off-Road Vehicle	2.9 Turbo 4WD	120	04/05 12/08

**LANDWIND (JMC)**

Model	Type	Kw	Jaar
X6 Closed Off-Road Vehicle	2.0	84	01/03 12/15
X6 Closed Off-Road Vehicle	2.4	92	06/01 12/09
X6 Closed Off-Road Vehicle	2.4 All-wheel Drive	92	06/01 12/09
X6 Closed Off-Road Vehicle	2.5 D	105	07/07 12/10
X6 Closed Off-Road Vehicle	2.5 D All-wheel Drive	105	07/07 12/10
X6 Closed Off-Road Vehicle	2.8 TD	68	01/03 12/09
X6 Closed Off-Road Vehicle	2.8 TD	62	06/01 12/08
X6 Closed Off-Road Vehicle	2.8 TD All-wheel Drive	68	01/03 12/09
X6 Closed Off-Road Vehicle	2.8 TD All-wheel Drive	62	06/01 12/09

**MAZDA**

Model	Type	Kw	Jaar
6 Hatchback (GG)	1.8	88	08/02 08/07
6 Saloon (GG)	1.8	88	08/02 08/07

**OE-codes****Compatibele OE-codes**

MAZDA	G2YD3323Z
MAZDA	GJYA3323ZA
MAZDA	GJYA3323ZB
MAZDA	GJYA3323ZC
MAZDA	GJYA3323ZD
MAZDA	GJYA3328ZC
MAZDA	GJYA3328ZD
MAZDA	GJYB3323ZB
MAZDA	GJYB3323ZC
MAZDA	GJYB3323ZD
MAZDA	GJYB3328ZB
MAZDA	GJYB3328ZC
MAZDA	GJYB3328ZD
MAZDA	GJYC3323Z
MAZDA	GJYC3328Z9C
MAZDA	GJYC3328Z9C
MITSUBISHI	G2YD3328Z

MITSUBISHI	GJYA3328ZA
------------	------------

---

MITSUBISHI	GJYA3329ZA
------------	------------

---

MITSUBISHI	GJYA3329ZB
------------	------------

---

SUZUKI	5520065J23
--------	------------

---

SUZUKI	5520065J23000
--------	---------------

---

SUZUKI	5520065J24
--------	------------

---