



BRAKE PAD

P 54 059

The P 54 059 brake pad is synonymous with reliability



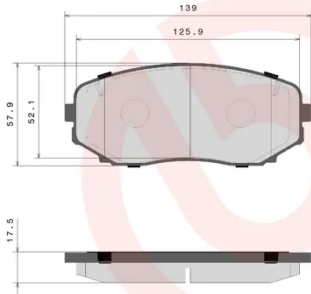


The Brembo brake pad guarantees ultimate safety when braking thanks to the use of more than 100 different compounds, designed according to the type of vehicle and use. Stopping distances reduced to a minimum, maximum driving comfort and silent operation are the most important features of Brembo materials. Brembo brake pads are supplied together with an extensive range of accessories and assembly kits for professional-standard installation.

- ✓ OE-equivalent
- ✓ Brembo quality
- ✓ ECE-R90 certificate
- ✓ Safety
- ✓ Performance
- ✓ Comfort
- ✓ With accessories



Technical specifications

EAN code 8020584087534	Axle Front	Thickness 17 mm
Width 139 mm	Height 60 mm	Braking system Advics
Wear indicator Acoustic	WVA number 23515	Accessories With accessories With anti-squeal shim

	P 54 059		407.E672.309
		ACOUSTIC WEAR INDICATOR 07.E654.019 - x2  SPRING 07.E657.035 - x4 	
WVA: 23515 QTY: x4			
<small>DATE : 03/10/2022 VERSION : 00</small>			

COMPATIBLE VEHICLES

COMPATIBLE OE PART NUMBERS

7T432001AA FORD

7T4Z2001A FORD

7T4Z2V001AA FORD

7U2J2C452AA FORD

8T432200BA FORD

BT432001AB FORD

BT4Z2001A FORD

BT4Z2001B FORD

BT432001AA FORD USA

BT4Z2001A FORD USA

BR1258B LINCOLN

BRF901 LINCOLN

BT4Z2001A LINCOLN

4605C248 MAZDA

EHY23328Z MAZDA

EHY43328Z MAZDA

EHY53328ZA MAZDA

EHY53328ZB MAZDA

KCYR3328Z MAZDA

L26Y3328ZA MAZDA

L2Y63323Z MAZDA

L2Y63328Z MAZDA

L2Y63328ZA MAZDA

TAY03328Z MAZDA

TKY83328Z MAZDA

TKY83328ZA MAZDA

TKY83328ZB MAZDA

4605B541 MITSUBISHI

L2Y63328Z MITSUBISHI

L2Y63328ZB MITSUBISHI

L2Y63329Z MITSUBISHI