



# BRAKE PAD XTRA P 61 103X

The P 61 103X Xtra brake pad is synonymous with reliability

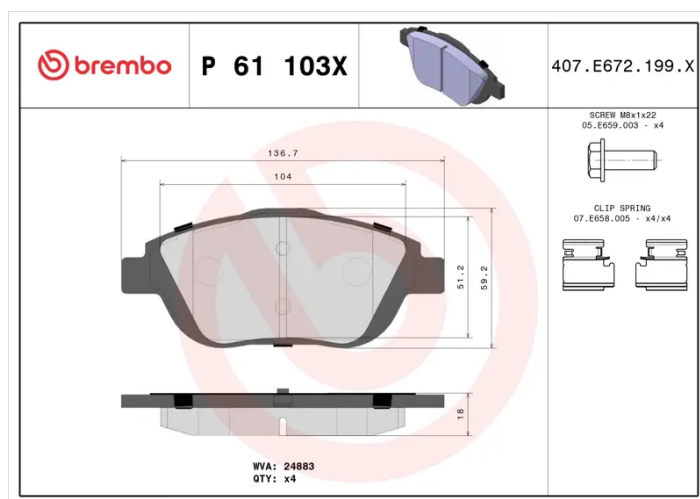
Brembo Xtra brake pads, developed to enhance the advantages of the Xtra and Max discs, are made using the special BRM X L01 compound which consists of more than 30 different components. Compared with the compound used for original-equivalent pads, the new solution assures a higher friction coefficient, which translates to more precise and stable braking, at both high and low temperatures. All this makes for greater driving comfort and improved pedal modularity, without compromising the product's mileage output.



- ✓ Brembo quality
- ✓ ECE-R90 certificate
- ✓ Safety
- ✓ Performance
- ✓ Sports driving
- ✓ With accessories

## Technical specifications

EAN code <b>8020584069141</b>	Axle <b>Front</b>	Thickness <b>18 mm</b>
Width <b>137 mm</b>	Height <b>59 mm</b>	Braking system <b>Bosch</b>
Wear indicator <b>Without</b>	WVA number <b>24883</b>	Accessories <b>With accessories</b> <b>With anti-squeal shim</b> <b>With brake caliper bolts</b>



**COMPATIBLE VEHICLES**

## COMPATIBLE OE PART NUMBERS

1607083180	CITROËN
161140580	CITROËN
1611837880	CITROËN
1613192580	CITROËN
1617275680	CITROËN
1617293780	CITROËN
1629038380	CITROËN
1684909680	CITROËN
425431	CITROËN
1607083180	DS
1613192580	DS
1617275680	DS
425431	DS
1647863580	OPEL
1696257880	OPEL
3649095	OPEL
1607083180	PEUGEOT
161140580	PEUGEOT
1611837880	PEUGEOT
1613192580	PEUGEOT
1617275680	PEUGEOT
1629038380	PEUGEOT
425431	PEUGEOT
9862568880	PEUGEOT
1696257880	VAUXHALL
3649095	VAUXHALL