



BRAKE PAD

P 68 017

The P 68 017 brake pad is synonymous with reliability

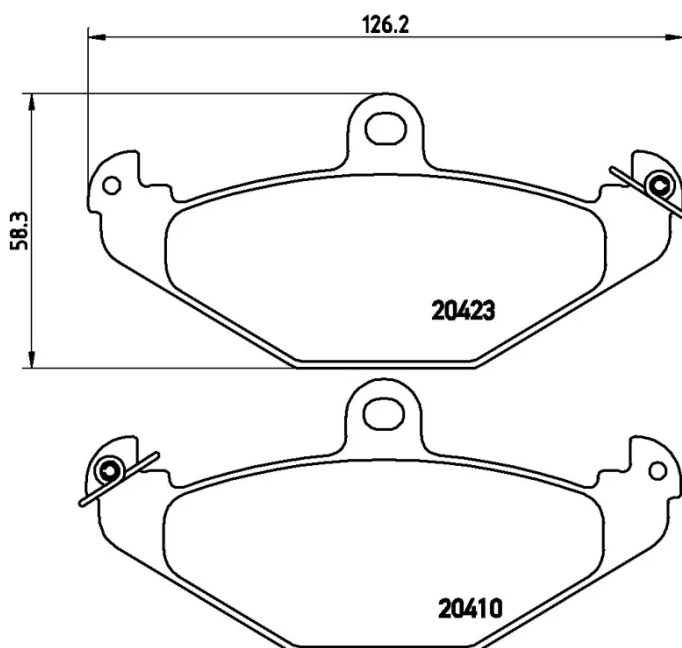
The Brembo brake pad guarantees ultimate safety when braking thanks to the use of more than 100 different compounds, designed according to the type of vehicle and use. Stopping distances reduced to a minimum, maximum driving comfort and silent operation are the most important features of Brembo materials. Brembo brake pads are supplied together with an extensive range of accessories and assembly kits for professional-standard installation.

- ✓ OE-equivalent
- ✓ Brembo quality
- ✓ ECE-R90 certificate
- ✓ Safety
- ✓ Performance
- ✓ Comfort



Technical specifications

EAN code	Axle	Thickness
8020584056806	Rear	15 mm
Width	Height	Braking system
126 mm	58 mm	Brembo
Wear indicator	WVA number	Accessories
Without	20410,20423	With anti-squeal shim



COMPATIBLE OE PART NUMBERS

04762999	CHRYSLER
----------	----------

4762999	CHRYSLER
---------	----------

A082J6157S	LOTUS
------------	-------

6025308186	RENAULT
------------	---------

7701203124	RENAULT
------------	---------

7701203633	RENAULT
------------	---------

7701203635	RENAULT
------------	---------

7701203726	RENAULT
------------	---------

7701203969	RENAULT
------------	---------

7701205015	RENAULT
------------	---------

8660004449	RENAULT
------------	---------

8671004150	RENAULT
------------	---------

8671005952	RENAULT
------------	---------

8671016191	RENAULT
------------	---------