



# BRAKE DISC

## 08.4487.10

The **08.4487.10** brake disc is synonymous with reliability

The Brembo brake disc is fully interchangeable with an Original Equipment brake disc. The control of the entire production cycle allows Brembo to offer brake discs with outstanding performance levels, reliability, durability and comfort in all conditions of use. All Brembo brake discs are accompanied by the ECE-R90 homologation.

- ✓ OE-equivalent
- ✓ Brembo quality
- ✓ ECE-R90 certificate
- ✓ Safety
- ✓ Fastening screws



### Technical specifications



EAN code  
**8020584448717**

Axle  
**Rear**

Diameter  $\emptyset$   
**284 mm**

Thickness (TH)  
**10 mm**

Height (A)  
**61 mm**

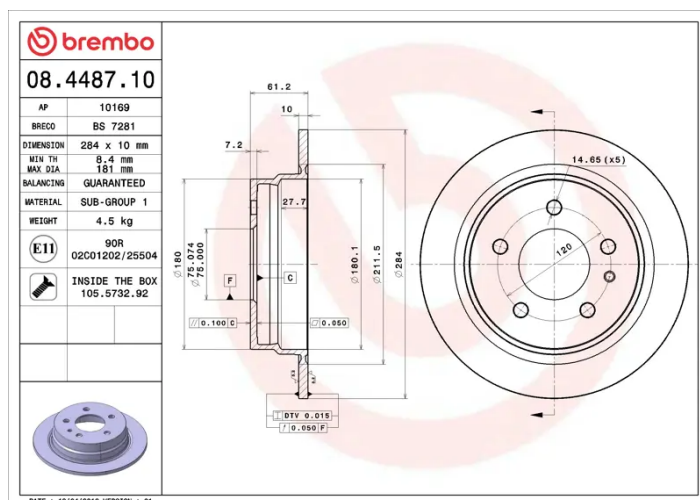
Number of holes (C)  
**5**

Brake disc type  
**Solid**

Centering (B)  
**75 mm**

Min. thickness  
**8,4 mm**

Tightening torque  
**120 Nm**



COMPATIBLE VEHICLES

## COMPATIBLE OE PART NUMBERS

34111121387	BMW
-------------	-----

---

34211121387	BMW
-------------	-----

---

34211152571	BMW
-------------	-----

---

34211162968	BMW
-------------	-----

---

34211163140	BMW
-------------	-----

---