



BRAKE DISC PAINTED

08.8163.11

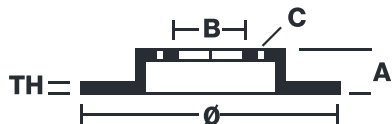
The 08.8163.11 painted brake disc is synonymous with reliability

The Brembo brake disc with special UV paint treatment guarantees superior corrosion resistance for the product, thanks to the protective coating on the outer edges and on the disc hub. The UV paint not only gives the disc a clean, shiny appearance but is also beneficial for the environment as the water-based UV paint treatment does not require the use of chemical solvents and is a low energy consumption process.

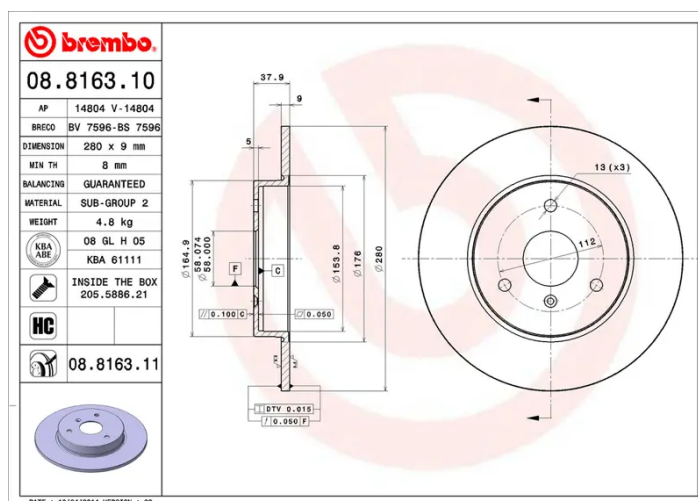
- ✓ OE-equivalent
- ✓ Brembo quality
- ✓ ECE-R90 certificate
- ✓ Safety
- ✓ High carbon
- ✓ Anti-corrosion
- ✓ Fastening screws



Technical specifications



EAN code 8020584030257	Axle Front and rear	Diameter Ø 280 mm
Thickness (TH) 9 mm	Height (A) 38 mm	Number of holes (C) 3
Brake disc type Solid	Centering (B) 58 mm	Min. thickness 8 mm
Tightening torque 120 Nm		



COMPATIBLE VEHICLES

COMPATIBLE OE PART NUMBERS

0508333251 KIA

0004341V001 SMART

0004341V002 SMART

0004341V003 SMART

4341V001000000 SMART

4341V002000000 SMART
