



BRAKE DISC PAINTED

08.8163.21

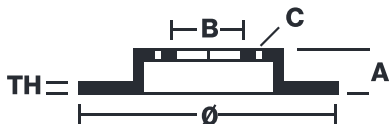
The 08.8163.21 painted brake disc is synonymous with reliability

The Brembo brake disc with special UV paint treatment guarantees superior corrosion resistance for the product, thanks to the protective coating on the outer edges and on the disc hub. The UV paint not only gives the disc a clean, shiny appearance but is also beneficial for the environment as the water-based UV paint treatment does not require the use of chemical solvents and is a low energy consumption process.

- ✓ OE-equivalent
- ✓ Brembo quality
- ✓ ECE-R90 certificate
- ✓ Safety
- ✓ High carbon
- ✓ Anti-corrosion
- ✓ Fastening screws

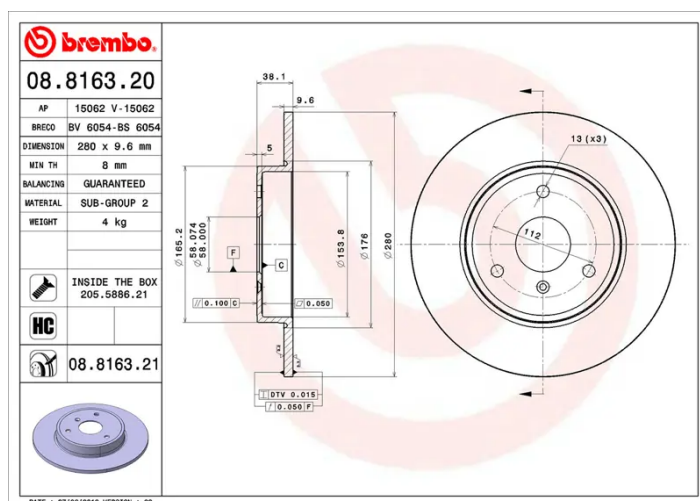


Technical specifications



EAN code 8020584039557	Axle Front	Diameter Ø 280 mm
Thickness (TH) 9,6 mm	Height (A) 38 mm	Number of holes (C) 3
Brake disc type Solid	Centering (B) 58 mm	Min. thickness 8 mm

Tightening torque
120 Nm



COMPATIBLE VEHICLES

COMPATIBLE OE PART NUMBERS

0004341V001000000	SMART
-------------------	-------

0004341V002000000	SMART
-------------------	-------

0004341V003000000	SMART
-------------------	-------

0009917V001000000	SMART
-------------------	-------

4514210112	SMART
------------	-------

A4514210112	SMART
-------------	-------
