

# TARCZA LAKIEROWANA 09.8695.11

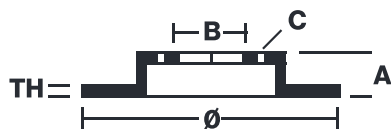
Tarcza lakierowana 09.8695.11 jest synonimem niezawodności.

Tarcza hamulcowa Brembo lakierowana w technologii UV zapewnia wyższą odporność na korozję dzięki nowej bardzo trwałej powłoce na zewnętrznych krawędziach i dzwonie tarczy. Lśniąca powłoka UV sprawia nie tylko, że tarcze mają jasny i metaliczny wygląd, ale zapewnia też znaczne korzyści dla środowiska naturalnego: farby UV na bazie wody nie wymagają rozpuszczalników chemicznych i przewidują proces o niskim zużyciu energii.



- ✓ Odpowiednik OE
- ✓ Jakość Brembo
- ✓ Certyfikat ECE-R90
- ✓ Bezpieczeństwo
- ✓ Antykorozyjny
- ✓ Śruby mocujące

## Dane techniczne



Kod EAN  
8020584031155

Przednia

Średnica  
266 mm

Grubość (TH)  
22 mm

Wysokość (A)  
34 mm

Liczba otworów (C)  
4

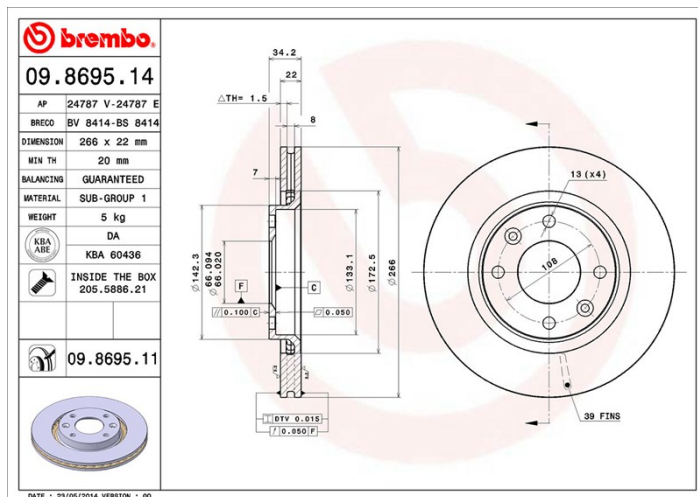
Typ tarczy  
Wentylowana

Centrowanie (B)  
66 mm

Grubość min.  
20 mm

Moment dokręcania  
90 Nm

Szł. na opakowanie  
2



## POJAZDY KOMPATYBILNE

### CITROËN

BERLINGO / BERLINGO FIRST Box Body/MPV (M <sub>L</sub> )	1.1 i (MAHDZ, MBHDZ, MBHFX)	44/60	07.96 03.08
BERLINGO / BERLINGO FIRST Box Body/MPV (M <sub>L</sub> )	1.4 BiFuel (MBKFxB, MCKFxB)	55/75	07.96 10.02
BERLINGO / BERLINGO FIRST Box Body/MPV (M <sub>L</sub> )	1.4 bivalent	48/65	11.02 12.11

BERLINGO / BERLINGO FIRST Box Body/MPV (M_)	1.4 i	57/77	08.99 05.08
BERLINGO / BERLINGO FIRST Box Body/MPV (M_)	1.4 i (MBKFX, MBKFW)	55/75	07.96 12.11
BERLINGO / BERLINGO FIRST Box Body/MPV (M_)	1.4 i bivalent (MBKFW)	55/75	04.03 10.05
BERLINGO / BERLINGO FIRST Box Body/MPV (M_)	1.6 16V	81/110	08.05 12.07
BERLINGO / BERLINGO FIRST Box Body/MPV (M_)	1.6 16V (MBNFM)	80/109	10.00 03.08
BERLINGO / BERLINGO FIRST Box Body/MPV (M_)	1.6 HDI 75 (MB9HW)	55/75	07.05 12.11
BERLINGO / BERLINGO FIRST Box Body/MPV (M_)	1.6 HDI 90 (MB9HX, MC9HX)	66/90	07.05 12.11
BERLINGO / BERLINGO FIRST Box Body/MPV (M_)	1.6 HDI 92	68/92	11.09 12.10
BERLINGO / BERLINGO FIRST Box Body/MPV (M_)	1.9 D (MBDJY)	51/70	07.96 12.03
BERLINGO / BERLINGO FIRST Box Body/MPV (M_)	1.9 D 70 (MBWJZ, MCWJZ)	51/69	04.99 12.11
BERLINGO / BERLINGO FIRST Box Body/MPV (M_)	1.9 D 70 4WD (MBWJZ, MCWJZ)	51/69	07.98 03.06
BERLINGO / BERLINGO FIRST Box Body/MPV (M_)	2.0 HDI 90 (MBRHY, MCRHY)	66/90	12.99 12.11
BERLINGO / BERLINGO FIRST Box Body/MPV (M_)	2.0 HDI 90 4WD (MBRHY, MCRHY)	66/90	11.00 10.05
BERLINGO / BERLINGO FIRST Box Body/MPV (M_)	Electric	28/38	07.03 12.05
BERLINGO / BERLINGO FIRST MPV (MF_, GJK_, GFK_)	1.4	53/72	11.02 10.05
BERLINGO / BERLINGO FIRST MPV (MF_, GJK_, GFK_)	1.4 bivalent	48/65	11.02 12.11
BERLINGO / BERLINGO FIRST MPV (MF_, GJK_, GFK_)	1.4 i (MFKFX, MFKFW, GJKFWB, GJKFWC, GFKFWC)	55/75	07.96 12.11
BERLINGO / BERLINGO FIRST MPV (MF_, GJK_, GFK_)	1.4 i bivalent (MFKFW)	55/75	04.03 10.08
BERLINGO / BERLINGO FIRST MPV (MF_, GJK_, GFK_)	1.6 16V (MFNFU)	80/109	10.00 12.11
BERLINGO / BERLINGO FIRST MPV (MF_, GJK_, GFK_)	1.6 16V (MFNFU)	81/110	11.02 10.08
BERLINGO / BERLINGO FIRST MPV (MF_, GJK_, GFK_)	1.6 HDI 75 (MF9HW, GJ9HWC, GF9HWC, GN9HWC)	55/75	07.05 12.11
BERLINGO / BERLINGO FIRST MPV (MF_, GJK_, GFK_)	1.6 HDI 90 (MF9HX)	66/90	07.05 05.08
BERLINGO / BERLINGO FIRST MPV (MF_, GJK_, GFK_)	1.6 HDI 92	68/92	11.09 12.10
BERLINGO / BERLINGO FIRST MPV (MF_, GJK_, GFK_)	1.9 D (MFDJY)	50/68	07.96 12.03
BERLINGO / BERLINGO FIRST MPV (MF_, GJK_, GFK_)	1.9 D (MFWJZ)	51/70	07.98 10.05
BERLINGO / BERLINGO FIRST MPV (MF_, GJK_, GFK_)	1.9 D 4WD (MFWJZ)	51/69	07.98 10.05
BERLINGO / BERLINGO FIRST MPV (MF_, GJK_, GFK_)	2.0 HDI 90 (MFRHY)	66/90	12.99 10.05
BERLINGO / BERLINGO FIRST MPV (MF_, GJK_, GFK_)	Electric	28/38	01.98 12.05
BERLINGO / BERLINGO FIRST MPV (MF_, GJK_, GFK_)	electrique	16/22	01.00 10.02
C2 (JM_)	1.4	55/75	10.06 12.09
C2 (JM_)	1.4	54/73	09.03 12.09
C2 (JM_)	1.4 16V	65/90	04.05 12.09
C2 (JM_)	1.4 HDi	51/69	09.03 04.05
C2 (JM_)	1.4 HDi	50/68	07.03 12.09
C2 (JM_)	1.6	80/109	07.03 10.10
C2 (JM_)	1.6 HDi	80/109	09.05 12.09
C2 (JM_)	1.6 VTS	90/122	10.04 12.09
C2 ENTERPRISE (JG_)	1.1	44/60	11.03 12.09
C2 ENTERPRISE (JG_)	1.4 HDi	51/69	11.03 04.05
C2 ENTERPRISE (JG_)	1.4 HDi	50/68	09.06 12.09
C3 AIRCROSS II (2R_, 2C_)	1.2 PureTech 110 (2RHNZB, 2RHNZW, 2RHNPX, 2RHNPJ)	81/110	06.17 <span class="zmdi zmdi-long-arrow-right"></span>
C3 AIRCROSS II (2R_, 2C_)	1.2 PureTech 130 (2RHNYH)	96/131	07.17 <span class="zmdi zmdi-long-arrow-right"></span>
C3 AIRCROSS II (2R_, 2C_)	1.2 PureTech 82 (2RHMRC, 2RHMZB)	60/82	06.17 <span class="zmdi zmdi-long-arrow-right"></span>
C3 AIRCROSS II (2R_, 2C_)	1.5 BlueHDi 100 (2CYHYJ)	73/99	08.18 <span class="zmdi zmdi-long-arrow-right"></span>

C3 AIRCROSS II (2R_, 2C_)	1.5 BlueHDi 100 (2CYHYJ)	75/102	08.18 <span class="zmdi zmdi-long-arrow-right"></span>
C3 AIRCROSS II (2R_, 2C_)	1.5 BlueHDi 110	81/110	10.20 <span class="zmdi zmdi-long-arrow-right"></span>
C3 AIRCROSS II (2R_, 2C_)	1.5 BlueHDi 120 (2CYHXX)	88/120	08.18 <span class="zmdi zmdi-long-arrow-right"></span>
C3 AIRCROSS II (2R_, 2C_)	1.6 BlueHDi 100 (2CBHYB)	73/99	07.17 <span class="zmdi zmdi-long-arrow-right"></span>
C3 AIRCROSS II (2R_, 2C_)	1.6 BlueHDi 115 (2CBHXH)	85/115	06.17 <span class="zmdi zmdi-long-arrow-right"></span>
C3 AIRCROSS II (2R_, 2C_)	1.6 BlueHDi 120 (2CBHZH)	88/120	07.17 <span class="zmdi zmdi-long-arrow-right"></span>
C3 AIRCROSS II (2R_, 2C_)	1.6 HDi 92 (2C9HPA)	68/92	10.17 <span class="zmdi zmdi-long-arrow-right"></span>
C3 AIRCROSS II Van (2C_, 2R_)	1.5 BlueHDi 100	73/99	05.19 <span class="zmdi zmdi-long-arrow-right"></span>
C3 AIRCROSS II Van (2C_, 2R_)	1.5 BlueHDi 120	88/120	05.19 <span class="zmdi zmdi-long-arrow-right"></span>
C3 AIRCROSS II Van (2C_, 2R_)	1.6 BlueHDi 100	73/99	05.19 <span class="zmdi zmdi-long-arrow-right"></span>
C3 AIRCROSS II Van (2C_, 2R_)	PureTech 82	60/82	05.19 <span class="zmdi zmdi-long-arrow-right"></span>
C3 AIRCROSS II Van (2C_, 2R_)	PureTech 82	81/110	05.19 <span class="zmdi zmdi-long-arrow-right"></span>
C3 I (FC_, FN_)	1.1 i	44/60	02.02 <span class="zmdi zmdi-long-arrow-right"></span>
C3 I (FC_, FN_)	1.1 LPG	44/60	06.06 12.09
C3 I (FC_, FN_)	1.4 16V	65/88	12.03 <span class="zmdi zmdi-long-arrow-right"></span>
C3 I (FC_, FN_)	1.4 16V HDi	66/90	02.02 <span class="zmdi zmdi-long-arrow-right"></span>
C3 I (FC_, FN_)	1.4 BiFuel	54/73	09.08 12.09
C3 I (FC_, FN_)	1.4 HDi	50/68	02.02 <span class="zmdi zmdi-long-arrow-right"></span>
C3 I (FC_, FN_)	1.4 HDi	55/75	05.05 <span class="zmdi zmdi-long-arrow-right"></span>
C3 I (FC_, FN_)	1.4 i	54/73	02.02 11.10
C3 I (FC_, FN_)	1.4 i Bivalent	49/67	01.08 12.09
C3 I (FC_, FN_)	1.4 i Bivalent	54/73	02.02 <span class="zmdi zmdi-long-arrow-right"></span>
C3 I (FC_, FN_)	1.6 16V	80/109	02.02 08.10
C3 I (FC_, FN_)	1.6 16V	81/110	05.03 09.05
C3 I (FC_, FN_)	1.6 16V HDi	80/109	09.05 <span class="zmdi zmdi-long-arrow-right"></span>
C3 I (FC_, FN_)	1.6 16V HDi	66/90	10.05 <span class="zmdi zmdi-long-arrow-right"></span>
C3 II (SC_)	1.0 VTi 68	50/68	08.12 <span class="zmdi zmdi-long-arrow-right"></span>
C3 II (SC_)	1.1 BiFuel	44/60	11.10 <span class="zmdi zmdi-long-arrow-right"></span>
C3 II (SC_)	1.1 i	44/60	09.09 01.13
C3 II (SC_)	1.2 PureTech Flex	66/90	10.16 <span class="zmdi zmdi-long-arrow-right"></span>
C3 II (SC_)	1.2 THP 110	81/110	10.14 <span class="zmdi zmdi-long-arrow-right"></span>
C3 II (SC_)	1.2 VTi 82	60/82	06.12 09.16
C3 II (SC_)	1.4	54/73	11.09 09.16
C3 II (SC_)	1.4 HDi 70	50/68	11.09 <span class="zmdi zmdi-long-arrow-right"></span>

C3 II (SC_)	1.4 LPG	54/73	07.10 <span class="zmdi zmdi-long-arrow-right"></span>
C3 II (SC_)	1.4 LPG	70/95	06.13 <span class="zmdi zmdi-long-arrow-right"></span>
C3 II (SC_)	1.4 VTi	72/98	11.09 <span class="zmdi zmdi-long-arrow-right"></span>
C3 II (SC_)	1.4 VTi 95	70/95	11.09 <span class="zmdi zmdi-long-arrow-right"></span>
C3 II (SC_)	1.6 BlueHDi 100	73/99	07.14 <span class="zmdi zmdi-long-arrow-right"></span>
C3 II (SC_)	1.6 BlueHDi 75	55/75	04.15 <span class="zmdi zmdi-long-arrow-right"></span>
C3 II (SC_)	1.6 HDi	68/92	11.09 09.16
C3 II (SC_)	1.6 HDi 90	66/90	11.09 <span class="zmdi zmdi-long-arrow-right"></span>
C3 II (SC_)	1.6 VTi Flex	87/118	10.16 <span class="zmdi zmdi-long-arrow-right"></span>
C3 II Hatchback Van (SC_)	1.4 HDi	50/68	06.10 09.16
C3 II Hatchback Van (SC_)	1.6 BlueHDi	55/75	03.15 09.16
C3 III (SX)	1.2 PureTech 82	61/83	05.18 <span class="zmdi zmdi-long-arrow-right"></span>
C3 III (SX)	1.2 PureTech 82 LPG	61/83	05.18 <span class="zmdi zmdi-long-arrow-right"></span>
C3 III (SX)	1.2 THP 110	81/110	07.16 <span class="zmdi zmdi-long-arrow-right"></span>
C3 III (SX)	1.2 VTi 68	50/68	07.16 <span class="zmdi zmdi-long-arrow-right"></span>
C3 III (SX)	1.2 VTi 82	60/82	07.16 <span class="zmdi zmdi-long-arrow-right"></span>
C3 III (SX)	1.2 VTi 82 LPG	60/82	07.16 <span class="zmdi zmdi-long-arrow-right"></span>
C3 III (SX)	1.5 BlueHDi 100	75/102	05.18 <span class="zmdi zmdi-long-arrow-right"></span>
C3 III (SX)	1.6 BlueHDi 100	73/99	07.16 <span class="zmdi zmdi-long-arrow-right"></span>
C3 III (SX)	1.6 BlueHDi 75	55/75	07.16 <span class="zmdi zmdi-long-arrow-right"></span>
C3 III (SX)	1.6 HDi 90	66/90	09.16 <span class="zmdi zmdi-long-arrow-right"></span>
C3 III (SX)	1.6 VTi (SXNFPT)	85/115	02.17 <span class="zmdi zmdi-long-arrow-right"></span>
C3 III Van (SX_, SY_)	BlueHDi 100	73/99	03.19 <span class="zmdi zmdi-long-arrow-right"></span>
C3 III Van (SX_, SY_)	BlueHDi 100	75/102	03.19 <span class="zmdi zmdi-long-arrow-right"></span>
C3 III Van (SX_, SY_)	BlueHDi 75	55/75	03.19 <span class="zmdi zmdi-long-arrow-right"></span>
C3 III Van (SX_, SY_)	PureTech 110	81/110	03.19 <span class="zmdi zmdi-long-arrow-right"></span>
C3 III Van (SX_, SY_)	PureTech 82	61/83	03.19 <span class="zmdi zmdi-long-arrow-right"></span>
C3 PICASSO (SH_)	1.2 THP 110	81/110	01.15 <span class="zmdi zmdi-long-arrow-right"></span>
C3 PICASSO (SH_)	1.4 VTi 95	70/95	02.09 <span class="zmdi zmdi-long-arrow-right"></span>
C3 PICASSO (SH_)	1.4 VTi 95 LPG	70/95	01.12 <span class="zmdi zmdi-long-arrow-right"></span>
C3 PICASSO (SH_)	1.6 BlueHDi 100	73/99	01.15 <span class="zmdi zmdi-long-arrow-right"></span>
C3 PICASSO (SH_)	1.6 HDi	66/90	02.09 <span class="zmdi zmdi-long-arrow-right"></span>

C3 PICASSO (SH_)	1.6 HDi	80/109	02.09 <span class="zmdi zmdi-long-arrow-right"></span>
C3 PICASSO (SH_)	1.6 HDi 110	82/112	05.10 <span class="zmdi zmdi-long-arrow-right"></span>
C3 PICASSO (SH_)	1.6 HDi 115	84/114	01.13 <span class="zmdi zmdi-long-arrow-right"></span>
C3 PICASSO (SH_)	1.6 HDi 90	68/92	07.10 <span class="zmdi zmdi-long-arrow-right"></span>
C3 PICASSO (SH_)	1.6 VTi	84/114	07.09 <span class="zmdi zmdi-long-arrow-right"></span>
C3 Pluriel (HB_)	1.4	55/75	07.03 <span class="zmdi zmdi-long-arrow-right"></span>
C3 Pluriel (HB_)	1.4	54/73	05.03 <span class="zmdi zmdi-long-arrow-right"></span>
C3 Pluriel (HB_)	1.4 HDi	50/68	04.04 <span class="zmdi zmdi-long-arrow-right"></span>
C3 Pluriel (HB_)	1.6	80/109	05.03 <span class="zmdi zmdi-long-arrow-right"></span>
C4 CACTUS	1.2 PureTech 130	96/131	11.17 <span class="zmdi zmdi-long-arrow-right"></span>
C4 CACTUS	1.2 THP 110	81/110	09.14 <span class="zmdi zmdi-long-arrow-right"></span>
C4 CACTUS	1.2 VTi 75 / PureTech 75	55/75	09.14 <span class="zmdi zmdi-long-arrow-right"></span>
C4 CACTUS	1.2 VTi 82	60/82	09.14 <span class="zmdi zmdi-long-arrow-right"></span>
C4 CACTUS	1.6 BlueHDi 100	73/99	09.14 <span class="zmdi zmdi-long-arrow-right"></span>
C4 CACTUS	1.6 HDi 90	68/92	09.14 <span class="zmdi zmdi-long-arrow-right"></span>
C4 CACTUS Van (0B_ 0P_)	BlueHDi 100	73/99	05.19 <span class="zmdi zmdi-long-arrow-right"></span>
C4 CACTUS Van (0B_ 0P_)	BlueHDi 100	73/99	05.19 <span class="zmdi zmdi-long-arrow-right"></span>
C4 CACTUS Van (0B_ 0P_)	PureTech 110	81/110	05.19 <span class="zmdi zmdi-long-arrow-right"></span>
C4 CACTUS Van (0B_ 0P_)	PureTech 130	96/131	05.19 <span class="zmdi zmdi-long-arrow-right"></span>
C4 CACTUS Van (0B_ 0P_)	PureTech 82	60/82	05.19 <span class="zmdi zmdi-long-arrow-right"></span>
C4 Coupe (LA_)	1.4 16V	65/88	11.04 07.11
C4 Coupe (LA_)	1.6 16V	80/109	11.04 07.11
C4 Coupe (LA_)	1.6 HDi	66/90	11.04 07.11
C4 I (LC_)	1.4 16V	65/88	11.04 07.11
C4 I (LC_)	1.6 16V	80/109	11.04 07.11
C4 I (LC_)	1.6 16V Bio-Flex	80/109	09.07 07.08
C4 I (LC_)	1.6 HDi	66/90	11.04 07.11
C4 I Saloon	1.6 16V	80/109	07.06 07.11
C4 II (B7)	1.2 THP 110	81/110	02.15 <span class="zmdi zmdi-long-arrow-right"></span>
C4 II (B7)	1.4 VTi 95	70/95	11.09 <span class="zmdi zmdi-long-arrow-right"></span>
C4 II (B7)	1.6	81/110	01.10 <span class="zmdi zmdi-long-arrow-right"></span>
C4 II (B7)	1.6 BlueHDi 100	73/99	07.14 <span class="zmdi zmdi-long-arrow-right"></span>
C4 II (B7)	1.6 HDi 90	68/92	11.09 <span class="zmdi zmdi-long-arrow-right"></span>

C4 II Hatchback Van (NC_)	1.6 HDi	68/92	06.10 <span class="zmdi zmdi-long-arrow-right"></span>
C5 I (DC_)	1.8 16V (DC6FZB, DC6FZE)	85/115	03.01 08.04
C5 II (RC_)	1.8 16V	92/125	09.05 <span class="zmdi zmdi-long-arrow-right"></span>
C5 II (RC_)	1.8 16V (RC6FZB)	85/116	09.04 08.05
C-ELYSEE (DD_)	1.2 PureTech 82 (DDHMRP)	61/83	02.18 <span class="zmdi zmdi-long-arrow-right"></span>
C-ELYSEE (DD_)	1.2 VTi 72	53/72	11.12 <span class="zmdi zmdi-long-arrow-right"></span>
C-ELYSEE (DD_)	1.2 VTi 82	60/82	12.14 <span class="zmdi zmdi-long-arrow-right"></span>
C-ELYSEE (DD_)	1.5 BlueHDi 100	75/102	05.18 <span class="zmdi zmdi-long-arrow-right"></span>
C-ELYSEE (DD_)	1.6 BlueHDi 100	73/99	11.14 <span class="zmdi zmdi-long-arrow-right"></span>
C-ELYSEE (DD_)	1.6 HDi 92	68/92	11.12 <span class="zmdi zmdi-long-arrow-right"></span>
C-ELYSEE (DD_)	1.6 VTi 115	85/115	11.12 <span class="zmdi zmdi-long-arrow-right"></span>
DS3	1.2 THP 110	81/110	10.14 03.15
DS3	1.2 VTi 82	60/82	01.13 03.15
DS3	1.4 HDi 70	50/68	04.10 07.15
DS3	1.4 VTi 95	70/95	04.10 07.15
DS3	1.4 VTi 95 LPG	70/95	08.12 07.15
DS3	1.4 VTi 98	72/98	11.09 07.15
DS3	1.6	120/163	01.12 07.15
DS3	1.6 BlueHDi 100	73/99	07.14 07.15
DS3	1.6 BlueHDi 120	88/120	10.13 07.15
DS3	1.6 BlueHDi 75	55/75	03.15 07.15
DS3	1.6 HDi 110	82/112	11.09 07.15
DS3	1.6 HDi 115	84/114	08.12 07.15
DS3	1.6 HDi 115	85/115	10.13 07.15
DS3	1.6 HDi 90	68/92	11.09 07.15
DS3	1.6 VTi 120	88/120	04.10 07.15
DS3 Convertible	1.2 THP 110	81/110	10.14 07.15
DS3 Convertible	1.2 VTi 82	60/82	01.13 07.15
DS3 Convertible	1.6 BlueHDi 100	73/99	07.14 07.15
DS3 Convertible	1.6 BlueHDi 100	75/102	07.14 07.15
DS3 Convertible	1.6 BlueHDi 115	85/115	10.13 07.15
DS3 Convertible	1.6 BlueHDi 120	88/120	07.14 07.15
DS3 Convertible	1.6 HDi 90	68/92	01.13 07.15
DS3 Convertible	1.6 THP 150	110/150	01.13 07.15
DS3 Convertible	1.6 THP 155	115/156	01.13 07.15
DS3 Convertible	1.6 THP 165	121/165	10.14 07.15
DS3 Convertible	1.6 THP 165	120/163	02.15 07.15
DS3 Convertible	1.6 VTi 120	88/120	01.13 07.15
DS4 (NX_)	1.6 HDi 110	82/112	04.11 07.15
DS4 (NX_)	1.6 HDi 90	68/92	05.11 07.15
XSARA (N1)	1.4 HDi	50/68	01.03 03.05
XSARA (N1)	1.4 i	55/75	04.97 03.05

XSARA (N1)	1.6 16V	80/109	09.00 03.05
XSARA (N1)	1.9 D	51/70	07.98 03.05
XSARA (N1)	2.0 HDi 90	66/90	02.99 03.05
XSARA Break (N2)	1.4 HDi	50/68	01.03 08.05
XSARA Break (N2)	1.4 i	55/75	10.97 08.05
XSARA Break (N2)	1.6 16V	80/109	09.00 08.05
XSARA Break (N2)	1.9 D	51/70	07.98 08.05
XSARA Break (N2)	2.0 HDi 90	66/90	02.99 08.05
XSARA Coupe (N0)	1.4 HDi	50/68	01.03 03.05
XSARA Coupe (N0)	1.4 i	55/75	03.98 03.05
XSARA Coupe (N0)	1.6 16V	80/109	09.00 03.05
XSARA Coupe (N0)	1.9 D	51/70	02.99 03.05
XSARA Coupe (N0)	2.0 HDi 90	66/90	02.99 03.05
XSARA Estate Van	1.4	55/75	09.00 03.05
XSARA Estate Van	1.9 D	51/69	06.99 08.05
XSARA Estate Van	2.0 HDi	66/90	09.00 03.05
XSARA Hatchback Van (N3_)	1.4	55/75	05.98 10.04
XSARA Hatchback Van (N3_)	1.9 D	51/69	06.99 03.05
XSARA Hatchback Van (N3_)	2.0 HDi	66/90	09.00 03.05
XSARA PICASSO (N68)	1.6	65/88	12.99 09.01
XSARA PICASSO (N68)	1.6	70/95	12.99 12.10
XSARA PICASSO (N68)	1.6	67/91	06.02 08.05
XSARA PICASSO (N68)	1.6 16V	80/109	09.05 12.11
XSARA PICASSO (N68)	1.6 16V	81/110	06.05 09.06
XSARA PICASSO (N68)	1.6 16V LPG	80/109	06.04 12.10
XSARA PICASSO (N68)	1.6 Chrono	74/101	04.01 10.04
XSARA PICASSO (N68)	1.6 HDi	66/90	09.05 12.11
XSARA PICASSO (N68)	1.6 HDi	80/109	05.04 12.11
XSARA PICASSO (N68)	1.8 16V	85/115	02.00 08.05
XSARA PICASSO (N68)	1.8 SX	76/103	06.00 08.05
XSARA PICASSO (N68)	2.0	88/120	02.04 10.04
XSARA PICASSO (N68)	2.0 16V	101/138	12.99 11.11
XSARA PICASSO (N68)	2.0 16V	100/136	01.03 06.12
XSARA PICASSO (N68)	2.0 HDi	66/90	12.99 12.11

## CITROËN (DF-PSA)

C2 (T11)	1.4	56/75	10.06 12.14
C2 (T11)	1.6	78/105	10.06 12.14
C2 CROSS	1.6	78/105	10.12 12.14
C3-XR	1.6	86/117	12.14 <span class="zmdi zmdi-long-arrow-right"></span>
C3-XR	1.6 T	123/167	12.14 <span class="zmdi zmdi-long-arrow-right"></span>
C3-XR	190 THP	85/116	03.19 <span class="zmdi zmdi-long-arrow-right"></span>
C3-XR	230 THP	100/136	11.16 <span class="zmdi zmdi-long-arrow-right"></span>
ELYSEE Hatchback	1.6	78/106	02.09 12.12
ELYSEE Saloon	1.6	86/117	09.13 <span class="zmdi zmdi-long-arrow-right"></span>

ELYSEE Saloon	1.6 CNG	86/117	07.14 <span class="zmdi zmdi-long-arrow-right"></span>
ELYSEE Saloon (7B)	1.4	55/75	01.06 04.08
ELYSEE Saloon (7B)	1.6	78/106	06.02 04.08
ELYSEE Saloon (7B)	1.6 CNG	65/88	01.06 01.08
ELYSEE Saloon (7B)	1.6 LPG	65/88	09.05 01.07
ELYSEE Saloon (R31)	1.6	78/106	04.08 12.13
ELYSEE Saloon (R31)	1.6 CNG	78/106	01.08 12.09
ELYSEE Saloon (R31)	1.6 CNG	78/106	09.08 12.13
FUKANG Saloon	1.4	55/75	12.07 12.08

## DS

DS 3 (SA_)	1.2 THP 110 / PureTech 110 (SAHNPS)	81/110	04.15 07.19
DS 3 (SA_)	1.2 THP 130	96/130	09.15 07.19
DS 3 (SA_)	1.2 VTi 82	60/82	04.15 07.19
DS 3 (SA_)	1.6 BlueHDi 100	73/99	04.15 07.19
DS 3 (SA_)	1.6 BlueHDi 116	85/116	07.15 07.19
DS 3 (SA_)	1.6 BlueHDi 120	88/120	07.15 07.19
DS 3 (SA_)	1.6 BlueHDi 75	55/75	07.15 07.19
DS 3 (SA_)	1.6 THP	110/150	07.15 07.19
DS 3 (SA_)	1.6 THP	120/163	07.15 07.19
DS 3 (SA_)	1.6 THP 165	121/165	07.15 07.19
DS 3 Convertible (SB_)	1.2 THP 110	81/110	07.15 07.19
DS 3 Convertible (SB_)	1.2 THP 130	96/130	09.15 07.19
DS 3 Convertible (SB_)	1.2 VTi 82	60/82	07.15 07.19
DS 3 Convertible (SB_)	1.6 BlueHDi 100	73/99	07.15 07.19
DS 3 Convertible (SB_)	1.6 BlueHDi 116	85/116	07.15 07.19
DS 3 Convertible (SB_)	1.6 BlueHDi 120	88/120	07.15 07.19
DS 3 Convertible (SB_)	1.6 THP	110/150	07.15 07.19
DS 3 Convertible (SB_)	1.6 THP	120/163	07.15 07.19
DS 3 Convertible (SB_)	1.6 THP 165	121/165	07.15 07.19

## FENGSHEN

H30	1.5	85/116	04.13 12.17
H30	1.6	78/106	01.10 12.15
S30	1.5	85/116	03.13 12.17
S30	1.6	78/106	07.09 <span class="zmdi zmdi-long-arrow-right"></span>
S30	1.6 CNG	67/91	03.13 <span class="zmdi zmdi-long-arrow-right"></span>

## OPEL

CORSA F	1.2 (68)	55/75	07.19 <span class="zmdi zmdi-long-arrow-right"></span>
CORSA F	1.2 (68)	74/101	07.19 <span class="zmdi zmdi-long-arrow-right"></span>
CORSA F	1.2 (68)	96/131	07.19 <span class="zmdi zmdi-long-arrow-right"></span>
CORSA F	1.5 (68)	75/102	07.19 <span class="zmdi zmdi-long-arrow-right"></span>
CORSA F Hatchback Van	1.2 (68)	55/75	07.19 <span class="zmdi zmdi-long-arrow-right"></span>



CORSA F Hatchback Van	1.5 (68)	75/102	07.19 <span class="zmdi zmdi-long-arrow-right"></span>
CROSSLAND X/ CROSSLAND (P17, P2QO)	1.2	61/83	07.19 <span class="zmdi zmdi-long-arrow-right"></span>
CROSSLAND X/ CROSSLAND (P17, P2QO)	1.2 (75)	60/82	03.17 <span class="zmdi zmdi-long-arrow-right"></span>
CROSSLAND X/ CROSSLAND (P17, P2QO)	1.2 (75)	81/110	03.17 <span class="zmdi zmdi-long-arrow-right"></span>
CROSSLAND X/ CROSSLAND (P17, P2QO)	1.2 (75)	96/131	03.17 <span class="zmdi zmdi-long-arrow-right"></span>
CROSSLAND X/ CROSSLAND (P17, P2QO)	1.2 LPG (75)	60/82	10.17 <span class="zmdi zmdi-long-arrow-right"></span>
CROSSLAND X/ CROSSLAND (P17, P2QO)	1.5 (75)	81/110	10.20 <span class="zmdi zmdi-long-arrow-right"></span>
CROSSLAND X/ CROSSLAND (P17, P2QO)	1.5 Turbo D (75)	75/102	06.18 <span class="zmdi zmdi-long-arrow-right"></span>
CROSSLAND X/ CROSSLAND (P17, P2QO)	1.5 Turbo D (75)	88/120	08.18 <span class="zmdi zmdi-long-arrow-right"></span>
CROSSLAND X/ CROSSLAND (P17, P2QO)	1.6 Turbo D (75)	73/99	03.17 <span class="zmdi zmdi-long-arrow-right"></span>
CROSSLAND X/ CROSSLAND (P17, P2QO)	1.6 Turbo D (75)	88/120	03.17 <span class="zmdi zmdi-long-arrow-right"></span>
CROSSLAND X/ CROSSLAND (P17, P2QO)	1.6 Turbo D (75)	85/116	08.17 <span class="zmdi zmdi-long-arrow-right"></span>
CROSSLAND X/ CROSSLAND (P17, P2QO)	1.6 Turbo D (75)	68/92	07.19 <span class="zmdi zmdi-long-arrow-right"></span>
CROSSLAND X Van	1.2 (75)	61/83	07.19 <span class="zmdi zmdi-long-arrow-right"></span>
CROSSLAND X Van	1.2 (75)	81/110	07.19 <span class="zmdi zmdi-long-arrow-right"></span>
CROSSLAND X Van	1.5 (75)	75/102	06.18 <span class="zmdi zmdi-long-arrow-right"></span>

## PEUGEOT

1007 (KM_)	1.4	54/75	04.05 <span class="zmdi zmdi-long-arrow-right"></span>
1007 (KM_)	1.4 16V	65/88	10.05 <span class="zmdi zmdi-long-arrow-right"></span>
1007 (KM_)	1.4 HDi	50/68	04.05 <span class="zmdi zmdi-long-arrow-right"></span>
1007 (KM_)	1.6 16V	80/109	04.05 <span class="zmdi zmdi-long-arrow-right"></span>
2008 I (CU_)	1.2 PureTech 82	61/82	01.18 12.19
2008 I (CU_)	1.2 THP 110 / PureTech 110	81/110	01.15 <span class="zmdi zmdi-long-arrow-right"></span>
2008 I (CU_)	1.2 THP 130 / PureTech 130	96/130	01.15 <span class="zmdi zmdi-long-arrow-right"></span>
2008 I (CU_)	1.2 VTi	60/82	03.13 12.18
2008 I (CU_)	1.4 HDi	50/68	06.13 <span class="zmdi zmdi-long-arrow-right"></span>
2008 I (CU_)	1.5 BlueHDi 100	75/102	05.18 <span class="zmdi zmdi-long-arrow-right"></span>
2008 I (CU_)	1.5 BlueHDi 120	88/120	05.18 <span class="zmdi zmdi-long-arrow-right"></span>
2008 I (CU_)	1.6 BlueHDi	85/116	07.14 <span class="zmdi zmdi-long-arrow-right"></span>
2008 I (CU_)	1.6 BlueHDi 100	73/100	01.15 <span class="zmdi zmdi-long-arrow-right"></span>
2008 I (CU_)	1.6 BlueHDi 120	88/120	07.14 <span class="zmdi zmdi-long-arrow-right"></span>

2008 I (CU_)	1.6 BlueHDi 75	55/75	01.15 <span class="zmdi zmdi-long-arrow-right"></span>
2008 I (CU_)	1.6 HDi	68/92	03.13 <span class="zmdi zmdi-long-arrow-right"></span>
2008 I (CU_)	1.6 HDi	84/114	03.13 <span class="zmdi zmdi-long-arrow-right"></span>
2008 I (CU_)	1.6 VTi	88/120	03.13 <span class="zmdi zmdi-long-arrow-right"></span>
2008 I (CU_)	1.6 VTi	85/116	05.13 <span class="zmdi zmdi-long-arrow-right"></span>
2008 I Van (CU_)	BlueHDi 100 (CUYHYM)	75/102	05.18 <span class="zmdi zmdi-long-arrow-right"></span>
2008 I Van (CU_)	BlueHDi 120 (CUYHXK)	88/120	05.18 <span class="zmdi zmdi-long-arrow-right"></span>
2008 I Van (CU_)	PureTech 130 (CUHNYM, CUHNSS)	96/131	01.18 <span class="zmdi zmdi-long-arrow-right"></span>
206 CC (2D)	1.6	81/110	09.01 12.08
206 CC (2D)	1.6 16V	80/109	09.00 12.07
206 CC (2D)	1.6 HDi 110	80/109	04.05 02.07
206 CC (2D)	2.0 S16	100/136	09.00 12.07
206 Hatchback (2A/C)	1.4 16V	65/88	10.03 02.08
206 Hatchback (2A/C)	1.6	81/110	05.05 07.08
206 Hatchback (2A/C)	1.6 16V	80/109	07.00 04.09
206 Hatchback (2A/C)	1.6 BiFuel	80/109	07.00 04.09
206 Hatchback (2A/C)	1.6 HDi 110	80/109	05.04 02.07
206 Hatchback (2A/C)	2.0 HDi 90	66/90	12.99 09.09
206 Hatchback (2A/C)	2.0 S16	99/135	04.99 10.00
206 Hatchback (2A/C)	2.0 S16	100/136	06.99 12.07
206 Saloon	1.6 16V	80/109	03.07 <span class="zmdi zmdi-long-arrow-right"></span>
206 SW (2E/K)	1.4 16V	65/88	10.03 <span class="zmdi zmdi-long-arrow-right"></span>
206 SW (2E/K)	1.6	81/110	05.05 07.08
206 SW (2E/K)	1.6 16V	80/109	07.02 <span class="zmdi zmdi-long-arrow-right"></span>
206 SW (2E/K)	1.6 HDi 110	80/109	05.04 <span class="zmdi zmdi-long-arrow-right"></span>
206 SW (2E/K)	1.6 LPG	80/109	07.02 02.07
206 SW (2E/K)	2.0 16V	100/136	07.02 02.07
206 SW (2E/K)	2.0 HDi	66/90	07.02 02.07
207 (WA_, WC_)	1.4	54/73	04.06 10.13
207 (WA_, WC_)	1.4	55/75	08.08 12.15
207 (WA_, WC_)	1.4	53/72	02.06 10.13
207 (WA_, WC_)	1.4 16V	72/98	10.09 12.12
207 (WA_, WC_)	1.4 16V	65/88	02.06 10.13
207 (WA_, WC_)	1.4 BiFuel	54/73	08.07 12.13
207 (WA_, WC_)	1.4 HDi	52/70	02.11 12.15
207 (WA_, WC_)	1.4 HDi	50/68	02.06 12.15
207 (WA_, WC_)	1.6 HDi	68/92	11.09 12.12
207 (WA_, WC_)	1.6 HDi	66/90	02.06 10.13
207 Hatchback Van (WA_, WC_)	1.4	54/74	06.07 10.08
207 Hatchback Van (WA_, WC_)	1.4 HDi	50/68	04.07 <span class="zmdi zmdi-long-arrow-right"></span>

207 Hatchback Van (WA_, WC_)	1.6 HDi	80/109	04.06 12.12
207 Hatchback Van (WA_, WC_)	1.6 HDi	68/92	11.09 03.13
207 Hatchback Van (WA_, WC_)	1.6 HDi	66/90	04.07 10.12
207 Hatchback Van (WA_, WC_)	1.6 VTi	88/120	03.07 12.12
207 SW (WK_)	1.4	54/73	06.07 12.12
207 SW (WK_)	1.4 LPG	54/73	08.07 12.12
207 SW (WK_)	1.6 HDi	68/92	11.09 12.12
208 Hatchback Van (CR_)	1.2 VTi 68 / PureTech 68 (CRHMP6, CRHMM6)	50/68	06.15 <span class="zmdi zmdi-long-arrow-right"></span>
208 Hatchback Van (CR_)	1.2 VTi 82 / PureTech 82 (CRHMZ6, CRHMRP)	60/82	06.15 <span class="zmdi zmdi-long-arrow-right"></span>
208 Hatchback Van (CR_)	1.4 HDi 68 (CR8HR0)	50/68	10.12 <span class="zmdi zmdi-long-arrow-right"></span>
208 Hatchback Van (CR_)	1.5 BlueHDi 100	75/102	05.18 <span class="zmdi zmdi-long-arrow-right"></span>
208 Hatchback Van (CR_)	1.6 Blue HDi 100	73/99	06.15 <span class="zmdi zmdi-long-arrow-right"></span>
208 Hatchback Van (CR_)	1.6 BlueHDi 75	55/75	04.15 <span class="zmdi zmdi-long-arrow-right"></span>
208 Hatchback Van (CR_)	1.6 HDi 92	68/92	03.14 <span class="zmdi zmdi-long-arrow-right"></span>
208 I (CA_, CC_)	1.0	50/68	03.12 <span class="zmdi zmdi-long-arrow-right"></span>
208 I (CA_, CC_)	1.2 GPL	60/82	06.15 <span class="zmdi zmdi-long-arrow-right"></span>
208 I (CA_, CC_)	1.2 PureTech 82	61/82	03.18 <span class="zmdi zmdi-long-arrow-right"></span>
208 I (CA_, CC_)	1.2 THP 110	81/110	01.13 <span class="zmdi zmdi-long-arrow-right"></span>
208 I (CA_, CC_)	1.2 VTi 68 / PureTech 68	50/68	08.16 <span class="zmdi zmdi-long-arrow-right"></span>
208 I (CA_, CC_)	1.2 VTi 82	60/82	03.12 <span class="zmdi zmdi-long-arrow-right"></span>
208 I (CA_, CC_)	1.4 GPL	70/95	10.13 <span class="zmdi zmdi-long-arrow-right"></span>
208 I (CA_, CC_)	1.4 HDi	50/68	03.12 <span class="zmdi zmdi-long-arrow-right"></span>
208 I (CA_, CC_)	1.4 VTi	70/95	03.12 <span class="zmdi zmdi-long-arrow-right"></span>
208 I (CA_, CC_)	1.5 BlueHDi 100	75/102	05.18 <span class="zmdi zmdi-long-arrow-right"></span>
208 I (CA_, CC_)	1.6	89/121	09.16 <span class="zmdi zmdi-long-arrow-right"></span>
208 I (CA_, CC_)	1.6	115/156	03.12 <span class="zmdi zmdi-long-arrow-right"></span>
208 I (CA_, CC_)	1.6	88/120	03.12 <span class="zmdi zmdi-long-arrow-right"></span>
208 I (CA_, CC_)	1.6 BlueHDi 100	73/100	01.15 <span class="zmdi zmdi-long-arrow-right"></span>
208 I (CA_, CC_)	1.6 BlueHDi 120	88/120	11.13 <span class="zmdi zmdi-long-arrow-right"></span>
208 I (CA_, CC_)	1.6 e-HDi	82/112	07.15 <span class="zmdi zmdi-long-arrow-right"></span>
208 I (CA_, CC_)	1.6 HDi	85/116	04.14 <span class="zmdi zmdi-long-arrow-right"></span>
208 I (CA_, CC_)	1.6 HDi	69/94	09.16 <span class="zmdi zmdi-long-arrow-right"></span>
208 I (CA_, CC_)	1.6 HDi	68/92	03.12 <span class="zmdi zmdi-long-arrow-right"></span>

208 I (CA_ CC_)	1.6 HDi	84/114	03.12 <span class="zmdi zmdi-long-arrow-right"></span>
208 I (CA_ CC_)	1.6 HDi / BlueHdi 75	55/75	01.13 <span class="zmdi zmdi-long-arrow-right"></span>
208 I (CA_ CC_)	1.6 THP 165	121/165	03.15 <span class="zmdi zmdi-long-arrow-right"></span>
208 II (UB_ UP_ UW_ UJ_)	1.2 PureTech 100	74/101	06.19 <span class="zmdi zmdi-long-arrow-right"></span>
208 II (UB_ UP_ UW_ UJ_)	1.2 PureTech 130	96/131	06.19 <span class="zmdi zmdi-long-arrow-right"></span>
208 II (UB_ UP_ UW_ UJ_)	1.2 PureTech 75	55/75	06.19 <span class="zmdi zmdi-long-arrow-right"></span>
208 II (UB_ UP_ UW_ UJ_)	1.5 BlueHDI 100	75/102	06.19 <span class="zmdi zmdi-long-arrow-right"></span>
208 II (UB_ UP_ UW_ UJ_)	1.5 BlueHDI 130	96/131	09.19 <span class="zmdi zmdi-long-arrow-right"></span>
208 II (UB_ UP_ UW_ UJ_)	e-208	100/136	06.19 <span class="zmdi zmdi-long-arrow-right"></span>
301	1.2 PureTech 82	61/83	02.18 <span class="zmdi zmdi-long-arrow-right"></span>
301	1.2 VTi 72	53/72	11.12 <span class="zmdi zmdi-long-arrow-right"></span>
301	1.2 VTi 82	60/82	12.14 <span class="zmdi zmdi-long-arrow-right"></span>
301	1.5 BlueHDI 100	75/102	05.18 <span class="zmdi zmdi-long-arrow-right"></span>
301	1.6 BlueHDI 100	73/99	04.14 <span class="zmdi zmdi-long-arrow-right"></span>
301	1.6 HDi 90	68/92	11.12 <span class="zmdi zmdi-long-arrow-right"></span>
301	1.6 LPG	85/116	07.14 <span class="zmdi zmdi-long-arrow-right"></span>
301	1.6 VTi 115	85/115	11.12 10.17
307 (3A/C)	1.4	55/75	08.00 09.03
307 (3A/C)	1.4 16V	65/88	11.03 07.07
307 (3A/C)	1.4 HDi	50/68	10.01 06.05
307 (3A/C)	1.6	81/110	07.06 04.12
307 (3A/C)	1.6 16V	80/109	08.00 11.07
307 (3A/C)	1.6 BioFlex	80/109	09.07 04.09
307 (3A/C)	1.6 HDi	66/90	04.05 03.09
307 (3A/C)	1.6 HDi 110	80/109	02.04 03.09
307 (3A/C)	2.0 HDi 110	79/107	08.00 03.07
307 (3A/C)	2.0 HDi 90	66/90	08.00 03.07
307 Break (3E)	1.4	55/75	04.02 09.03
307 Break (3E)	1.4 16V	65/88	11.03 07.07
307 Break (3E)	1.4 HDi	50/68	03.02 06.05
307 Break (3E)	2.0 HDi 90	66/90	03.02 04.08
307 SW (3H)	1.4	55/75	04.02 09.03
307 SW (3H)	1.4 16V	65/88	11.03 07.07
307 SW Estate Van (3E_ 3H_)	1.4 HDi	51/69	04.02 06.05
PARTNER Box / RANCH Box	1.6 HDi	55/75	04.08 <span class="zmdi zmdi-long-arrow-right"></span>
PARTNER Box (5) / RANCH Box (5)	1.4	48/65	10.05 12.10
PARTNER Box (5) / RANCH Box (5)	1.4	55/75	06.96 12.15
PARTNER Box (5) / RANCH Box (5)	1.4	54/73	11.02 10.06

PARTNER Box (5) / RANCH Box (5)	1.4 BiFuel	55/75	04.03 10.06
PARTNER Box (5) / RANCH Box (5)	1.6 HDi 75	55/75	08.05 07.08
PARTNER Box (5) / RANCH Box (5)	1.6 HDi 75	55/75	08.05 07.08
PARTNER Box (5) / RANCH Box (5)	1.6 HDi 90	66/90	08.05 12.15
PARTNER Box (5) / RANCH Box (5)	1.6 HDi 92	68/92	11.09 12.10
PARTNER Box (5) / RANCH Box (5)	1.8 D	43/58	06.96 12.02
PARTNER Box (5) / RANCH Box (5)	1.9 D	51/69	06.96 12.02
PARTNER Box (5) / RANCH Box (5)	1.9 D	51/69	06.96 12.15
PARTNER Box (5) / RANCH Box (5)	1.9 D 4x4	51/69	04.04 07.11
PARTNER Box (5) / RANCH Box (5)	2.0 HDi	66/90	04.00 07.08
PARTNER Box (5) / RANCH Box (5)	Electric	25/34	06.96 12.02
PARTNER Combispace (5F) / RANCH Combispace (5F)	1.4	55/75	06.96 12.15
PARTNER Combispace (5F) / RANCH Combispace (5F)	1.4	54/73	11.02 10.06
PARTNER Combispace (5F) / RANCH Combispace (5F)	1.6 16V	80/109	07.01 03.08
PARTNER Combispace (5F) / RANCH Combispace (5F)	1.6 Flexfuel	80/109	09.00 10.02
PARTNER Combispace (5F) / RANCH Combispace (5F)	1.6 HDi 75	55/75	08.05 07.08
PARTNER Combispace (5F) / RANCH Combispace (5F)	1.6 HDi 90	66/90	08.05 12.15
PARTNER Combispace (5F) / RANCH Combispace (5F)	1.6 HDi 92	68/92	11.09 12.10
PARTNER Combispace (5F) / RANCH Combispace (5F)	1.9 D	50/68	06.96 12.02
PARTNER Combispace (5F) / RANCH Combispace (5F)	1.9 D	51/69	01.99 07.08
PARTNER Combispace (5F) / RANCH Combispace (5F)	2.0 HDi	66/90	02.00 07.08
PARTNER Combispace (5F) / RANCH Combispace (5F)	Electric	28/38	01.98 12.01
PARTNER ORIGIN Box Body/MPV (G_)	1.4	55/75	08.08 12.15
PARTNER ORIGIN Box Body/MPV (G_)	1.6	81/110	09.11 12.15
PARTNER ORIGIN Box Body/MPV (G_)	1.6 HDi 75	55/75	08.08 12.15
PARTNER ORIGIN Box Body/MPV (G_)	1.6 HDi 90	66/90	08.08 12.15
PARTNER ORIGIN Box Body/MPV (G_)	1.9 D	51/69	08.08 12.15
PARTNER ORIGIN Box Body/MPV (G_)	Electric	42/57	01.11 12.12
PARTNER ORIGIN MPV (G_)	1.4	55/75	07.08 12.13
PARTNER ORIGIN MPV (G_)	1.6 16V	81/110	09.11 12.13
PARTNER ORIGIN MPV (G_)	1.6 HDi 75	55/75	08.08 12.13
PARTNER ORIGIN MPV (G_)	1.9 D	51/69	08.08 12.13
PARTNER Platform/Chassis (5_, G_)	1.6	80/109	09.00 05.08
PARTNER Platform/Chassis (5_, G_)	1.6 HDi 75	55/75	02.06 07.08
PARTNER Platform/Chassis (5_, G_)	1.9 D	51/69	01.99 07.08
PARTNER Platform/Chassis (5_, G_)	2.0 HDi	66/90	11.02 07.08

## PEUGEOT (DF-PSA)

2008	1.2 THP	100/136	07.16 <span class="zmdi zmdi-long-arrow-right"></span>
2008	1.6 THP	123/167	04.15 <span class="zmdi zmdi-long-arrow-right"></span>
2008	1.6 VTi	86/117	04.14 12.17
206	1.6	78/106	01.06 02.09
207 CROSS	1.6	78/106	11.12 12.14
207 Hatchback	1.4	56/76	03.09 12.14
207 Hatchback	1.6	78/106	03.09 12.14
207 Saloon	1.4	56/76	11.08 12.14

207 Saloon	1.6	78/106	11.08 12.14
301	1.6	86/117	11.13 <span class="zmdi zmdi-long-arrow-right"></span>
301	1.6 CNG	75/102	10.14 <span class="zmdi zmdi-long-arrow-right"></span>

## VAUXHALL

CORSA Mk V (F)	1.2	55/75	07.19 <span class="zmdi zmdi-long-arrow-right"></span>
CORSA Mk V (F)	1.2	74/101	07.19 <span class="zmdi zmdi-long-arrow-right"></span>
CORSA Mk V (F)	1.5	75/102	07.19 <span class="zmdi zmdi-long-arrow-right"></span>
CROSSLAND X(P17)	1.2 (75)	60/82	03.17 <span class="zmdi zmdi-long-arrow-right"></span>
CROSSLAND X(P17)	1.2 (75)	81/110	03.17 <span class="zmdi zmdi-long-arrow-right"></span>
CROSSLAND X(P17)	1.2 (75)	96/131	03.17 <span class="zmdi zmdi-long-arrow-right"></span>
CROSSLAND X(P17)	1.6 Turbo D (75)	73/99	03.17 <span class="zmdi zmdi-long-arrow-right"></span>
CROSSLAND X(P17)	1.6 Turbo D (75)	88/120	03.17 <span class="zmdi zmdi-long-arrow-right"></span>

## KOMPATYBILNE KODY OE

1613191380	CITROËN
1618890480	CITROËN
1629058880	CITROËN
4246W1	CITROËN
424916	CITROËN
424983	CITROËN
4249G1	CITROËN
E169141	CITROËN
C00004246W1	CITROËN (DF-PSA)
1613191380	DS
1618890480	DS
1629058880	DS
424983	DS
E169141	DS
4541000	FENGSHEN
1618890480	OPEL
3556159	OPEL
3637225	OPEL
1613191380	PEUGEOT
1618890480	PEUGEOT
1629058880	PEUGEOT
4246W7	PEUGEOT
424915	PEUGEOT
424983	PEUGEOT
4249G1	PEUGEOT
E169141	PEUGEOT

