



BRAKE DISC

09.9483.10

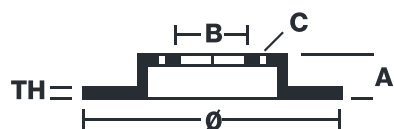
The **09.9483.10** brake disc is synonymous with reliability

The Brembo brake disc is fully interchangeable with an Original Equipment brake disc. The control of the entire production cycle allows Brembo to offer brake discs with outstanding performance levels, reliability, durability and comfort in all conditions of use. All Brembo brake discs are accompanied by the ECE-R90 homologation.

- ✓ OE-equivalent
- ✓ Brembo quality
- ✓ ECE-R90 certificate
- ✓ Safety
- ✓ Fastening screws



Technical specifications



EAN code
8020584948316

Axle
Front and rear

Diameter \varnothing
256 mm

Thickness (TH)
24 mm

Height (A)
48 mm

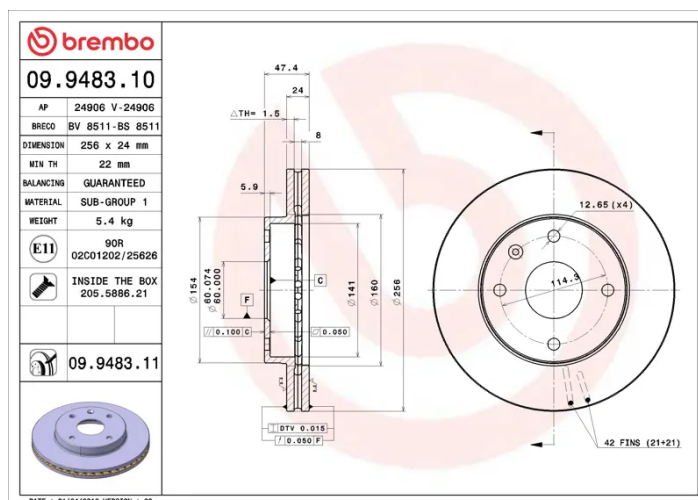
Number of holes (C)
4

Brake disc type
Ventilated

Centering (B)
60 mm

Min. thickness
22 mm

Tightening torque
110 Nm



COMPATIBLE VEHICLES

COMPATIBLE OE PART NUMBERS

24537780	BAOJUN (SGMW)
----------	---------------

9053332	BUICK (SGM)
---------	-------------

96549782	BUICK (SGM)
----------	-------------

96264591	CHEVROLET
----------	-----------

96328338	CHEVROLET
----------	-----------

96549782	CHEVROLET
----------	-----------

J96415413	CHEVROLET
-----------	-----------

96264591	DAEWOO
----------	--------

96328338	DAEWOO
----------	--------

96549782	DAEWOO
----------	--------