



BRAKE DISC

09.9983.40

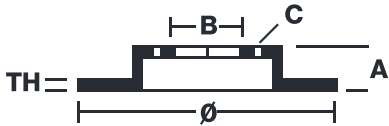
The **09.9983.40** brake disc is synonymous with reliability

The Brembo brake disc is fully interchangeable with an Original Equipment brake disc. The control of the entire production cycle allows Brembo to offer brake discs with outstanding performance levels, reliability, durability and comfort in all conditions of use. All Brembo brake discs are accompanied by the ECE-R90 homologation.

- ✓ OE-equivalent
- ✓ Brembo quality
- ✓ ECE-R90 certificate
- ✓ Safety
- ✓ High carbon
- ✓ PVT ventilation



Technical specifications



EAN code
8020584998342

Axle
Front and rear

Diameter Ø
435 mm

Thickness (TH)
45 mm

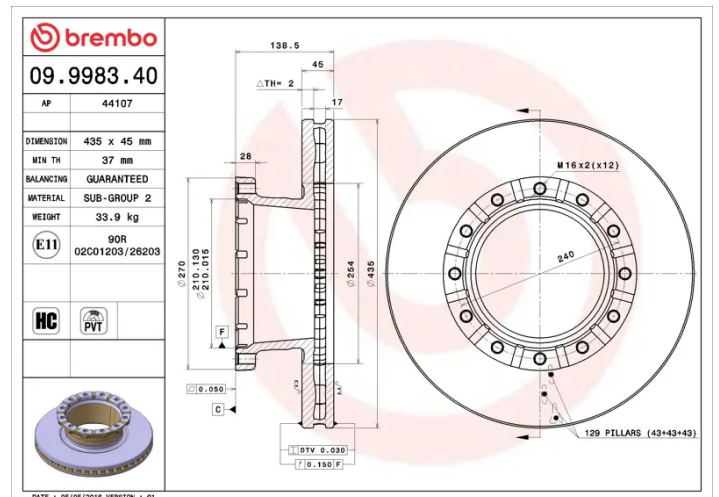
Height (A)
139 mm

Number of holes (C)
12

Brake disc type
Ventilated

Centering (B)
210 mm

Min. thickness
37 mm



COMPATIBLE VEHICLES

COMPATIBLE OE PART NUMBERS

1906461	IVECO
---------	-------

2992470	IVECO
---------	-------

2996329	IVECO
---------	-------

42557315	IVECO
----------	-------

7182305	IVECO
---------	-------
