

Tarcza 09.A417.10

 **brembo**
AFTERMARKET

Dane techniczne tarczy

Oś Przód

Średnica (Ø)
296 mm

Wysokość całkowita (A)
49,3 mm

Średnica centrowania (B)
62 mm

Ilość otworów (C)
5

Grubość (TH)
28 mm

Grubość min.
25 mm

Moment dokręcania 
103 Nm

Sztuk w pudełku
2

Referencja EAN
8020584022481



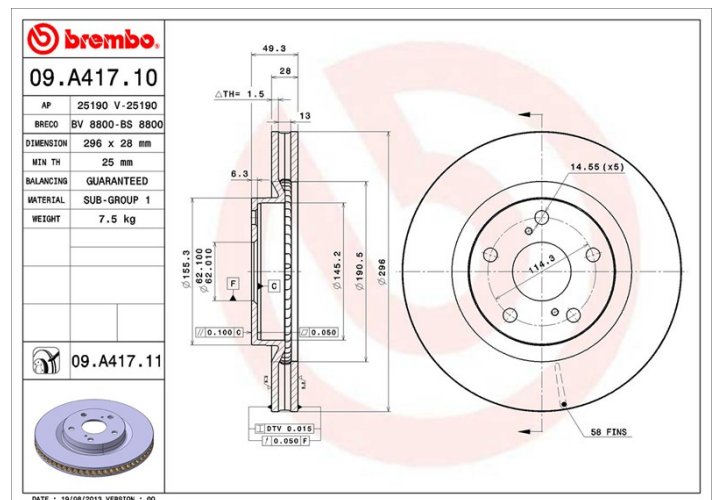


Kody marek

Brembo
09.A417.10

AP
25190

Breco
BS 8800



Specyfikacje techniczne

Pasujące pojazdy

EMGRAND

Model	Typ	kW	Rok
EC8	2.0	100	08/10 12/12
EC8	2.0	104	08/10 12/17
EC8	2.4	115	08/10 -
EC8	2.4	119	10/10 -

ENGLON

Model	Typ	kW	Rok
SX7	1.8	102	03/13 01/15
SX7	1.8	98	03/14 -
SX7	2.0	104	03/13 01/15
SX7	2.4	119	03/13 01/15

GLEAGLE

Model	Typ	kW	Rok
GX7	1.8	102	04/12 01/15
GX7	2.0	104	04/12 01/15
GX7	2.4	119	04/12 01/15

LEXUS

Model	Typ	kW	Rok
ES (_V4_)	240 (ACV40_)	123	08/09 06/12
ES (_V4_)	3.5 (GSV40_)	204	05/06 06/12
ES (_V6_)	200 (ASV61_)	110	08/15 -
ES (_V6_)	200 (ASV61_)	123	08/15 -
ES (_V6_)	250 (AV60_)	133	06/12 -
ES (_V6_)	250 (AVV60_, ASV60_)	135	06/12 -
ES (_V6_)	300h (ASV60_, AVV60_)	118	06/12 -
ES (_V6_)	350 (GSV60_)	183	06/12 -
ES (_V6_)	350 (GSV60_)	204	06/12 -
ES (_V6_)	350 4WD (GSV60_)	204	06/12 -

TOYOTA

Model	Typ	kW	Rok
AURIS (_E15_)	1.8 Hybrid (ZWE150_)	73	09/10 09/12
AURIS (_E18_)	1.8 Hybrid (ZWE186_)	73	10/12 -
AURIS TOURING SPORTS Estate (_E18_)	1.8 Hybrid (ZWE186_)	73	07/13 -
CAMRY Saloon (_V4_)	2.0 (ACV41_)	108	01/06 09/11
CAMRY Saloon (_V4_)	2.4 (ACV40)	116	01/06 09/11
CAMRY Saloon (_V4_)	2.4 (ACV40_)	127	10/06 09/11
CAMRY Saloon (_V4_)	2.4 (ACV40_)	123	01/06 09/11
CAMRY Saloon (_V4_)	2.4 Hybrid (AHV40_)	105	01/06 07/11
CAMRY Saloon (_V4_)	2.4 Hybrid (AHV40_)	110	01/06 09/11
CAMRY Saloon (_V4_)	2.5 (ASV40_)	129	01/10 09/11
CAMRY Saloon (_V4_)	3.5 (GSV40_)	204	01/08 09/11
MIRAI (JPD1_)	FCV (JPD10_)	113	10/14 -
PRIUS PLUS (_W4_)	1.8 Hybrid (ZVW40, ZVW41)	73	05/11 -
RAV 4 III (_A3_)	2.0 (ZSA35)	109	03/09 06/13
RAV 4 III (_A3_)	2.0 (ZSA35_)	116	12/08 06/13

RAV 4 III (_A3_)	2.0 4WD (ACA30_)	112	02/06 06/13
RAV 4 III (_A3_)	2.0 4WD (ZSA30)	109	03/09 06/13
RAV 4 III (_A3_)	2.0 4WD (ZSA30_)	116	12/08 06/13
RAV 4 III (_A3_)	2.2 D (ALA35_)	110	12/08 06/13
RAV 4 III (_A3_)	2.2 D 4WD (ALA30_)	130	02/06 06/13
RAV 4 III (_A3_)	2.2 D 4WD (ALA30_)	100	02/06 12/12
RAV 4 III (_A3_)	2.2 D 4WD (ALA30_)	110	12/08 06/13
RAV 4 III (_A3_)	2.4 (ACA33, ACA36, ACA38)	125	11/05 06/13
RAV 4 III (_A3_)	2.4 4WD (ACR38, ACA31, ACA33)	125	11/05 06/13
RAV 4 III (_A3_)	3.5 4WD (GSA33)	201	11/05 12/12
RAV 4 IV (_A4_)	2.0 (ZSA42)	107	12/12 -
RAV 4 IV (_A4_)	2.0 4WD (ZSA44_)	112	04/15 -
RAV 4 IV (_A4_)	2.0 4WD (ZSA44_)	111	12/12 -
RAV 4 IV (_A4_)	2.0 D (ALA40_)	91	12/12 -
RAV 4 IV (_A4_)	2.0 D (WWA42_)	105	10/15 -
RAV 4 IV (_A4_)	2.0 D 4WD (ALA41_)	91	01/13 -
RAV 4 IV (_A4_)	2.2 D 4WD (ALA49)	110	12/12 -
RAV 4 IV (_A4_)	2.5	132	12/12 -
RAV 4 IV (_A4_)	2.5 4WD (ASA44)	132	12/12 -
RAV 4 IV (_A4_)	2.5 Hybrid (AVA42_, AVA44_)	114	10/15 -
RAV 4 IV (_A4_)	2.5 Hybrid 4WD (AVA44_)	114	10/15 -

TOYOTA (FAW)

Model	Typ	kW	Rok
RAV4 (A40)	2.0 (ZSA42, ZSA44)	111	07/16 -
RAV4 (A40)	2.0 (ZSA42, ZSA44)	108	08/13 -
RAV4 (A40)	2.0 4x4 (ZSA42, ZSA44)	111	07/16 -
RAV4 (A40)	2.0 4x4 (ZSA42, ZSA44)	108	08/13 -
RAV4 (A40)	2.5 4x4 (ASA44)	132	08/13 -
RAV4 Closed Off-Road Vehicle (A30)	2.0 (ACA32, ACA37)	110	04/09 08/13
RAV4 Closed Off-Road Vehicle (A30)	2.0 4x4 (ACA32, ACA37)	110	04/09 08/13
RAV4 Closed Off-Road Vehicle (A30)	2.4 4x4 (ACA33)	125	04/09 08/13
REIZ (X120)	2.5 (GRX122)	145	10/05 09/10
REIZ (X120)	3.0 (GRX121)	170	10/05 09/10

REIZ (X130)	2.5 (GRX132)	142	09/10 -
REIZ (X130)	3.0 (GRX131)	167	09/10 12/17
TOYOTA (GAC)			
Model	Typ	kW	Rok
CAMRY (ACV4_)	200 (ACV41)	108	06/06 12/15
CAMRY (ACV4_)	240 (ACV40)	123	06/06 12/11
CAMRY (ACV4_)	240 H (AHV41)	110	04/10 12/11

Numery OE

Pasujące kody OE	
TOYOTA	4351202250
TOYOTA	4351206090
TOYOTA	4351206140
TOYOTA	4351233130
TOYOTA	4351233140
TOYOTA	4351242050
TOYOTA	4351242090
TOYOTA	4351242100