

Tarcza 09.A969.11

 **brembo**
AFTERMARKET

Dane techniczne tarczy

Oś Przód

Średnica
296 mm

Wysokość całkowita (A)
51 mm

Średnica centrowania (B)
67,4 mm

Ilość otworów (C)
5

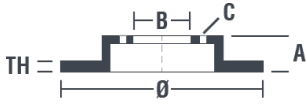
Grubość (TH)
30 mm

Grubość min.
27 mm

Moment dokręcania 
150 Nm

Sztuk w pudełku
1

Referencja EAN
8020584222256



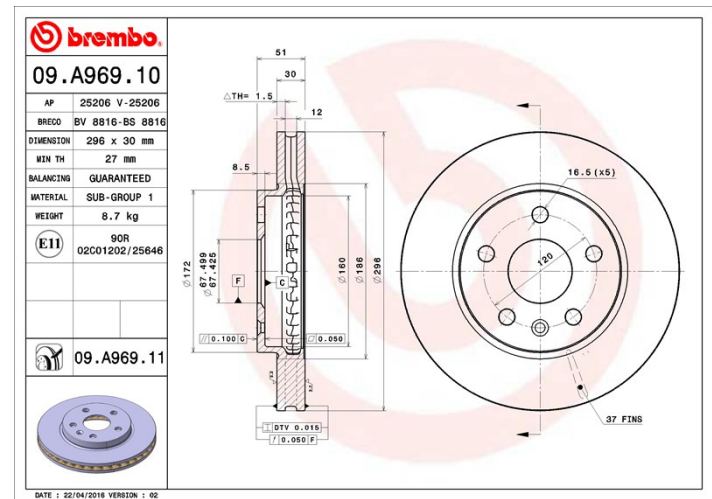


Kody marek

Brembo
09.A969.11

AP
25206 V

Breco
BV 8816



Specyfikacje techniczne

Tarcza UV

Proces lakierowania w technologii UV zapewnia większą odporność na korozję oraz całkowitą ochronę tarczy.



Pasujące pojazdy

BUICK (SGM)

Model	Typ	kW	Rok
REGAL II (EG1)	1.6 Turbo	132	09/09 12/12
REGAL II (EG1)	2.0	162	06/09 12/13
REGAL II (EG1)	2.0	113	09/13 12/17
REGAL II (EG1)	2.0	108	12/08 12/13
REGAL II (EG1)	2.4	137	01/11 12/15
REGAL II (EG1)	2.4	125	12/08 12/11
REGAL II (EG1)	GS 2.0	187	09/13 -

CHEVROLET

Model	Typ	kW	Rok
MALIBU (V300)	2.0 D	118	04/12 -
MALIBU (V300)	2.4	123	01/12 -
MALIBU (V300)	2.4	125	01/12 -

CHEVROLET (SGM)

Model	Typ	kW	Rok
MALIBU (EG3)	1.6 T	135	02/12 -
MALIBU (EG3)	2.0	113	02/12 12/16
MALIBU (EG3)	2.4	137	02/12 -

OPEL

Model	Typ	kW	Rok
INSIGNIA A (G09)	1.4 (68)	103	04/11 03/17
INSIGNIA A (G09)	1.4 LPG (68)	103	07/12 03/17
INSIGNIA A (G09)	1.6 (68)	85	07/08 03/17
INSIGNIA A (G09)	1.6 CDTi (68)	88	07/15 03/17
INSIGNIA A (G09)	1.6 CDTi (68)	100	07/15 03/17
INSIGNIA A (G09)	1.6 SIDI (68)	125	03/13 03/17
INSIGNIA A (G09)	1.6 Turbo (68)	132	07/08 03/17
INSIGNIA A (G09)	1.8 (68)	103	07/08 03/17
INSIGNIA A (G09)	2.0 CDTI (68)	88	03/12 03/17
INSIGNIA A (G09)	2.0 CDTI (68)	103	06/13 03/17
INSIGNIA A (G09)	2.0 CDTI (68)	81	07/08 03/17
INSIGNIA A (G09)	2.0 CDTI (68)	96	07/08 03/17
INSIGNIA A (G09)	2.0 CDTI (68)	118	07/08 03/17
INSIGNIA A (G09)	2.0 CDTI (68)	120	07/13 03/17
INSIGNIA A (G09)	2.0 CDTI (68)	125	11/14 03/17
INSIGNIA A (G09)	2.0 CDTI 4x4 (68)	118	06/10 03/17
INSIGNIA A (G09)	2.0 CDTI 4x4 (68)	120	07/13 03/17
INSIGNIA A (G09)	2.0 CDTI 4x4 (68)	125	11/14 03/17
INSIGNIA A Saloon (G09)	1.4 (69)	103	04/11 03/17
INSIGNIA A Saloon (G09)	1.4 LPG (69)	103	07/12 03/17

INSIGNIA A Saloon (G09)	1.6 (69)	85	07/08 03/17
INSIGNIA A Saloon (G09)	1.6 CDTi (69)	88	07/15 03/17
INSIGNIA A Saloon (G09)	1.6 CDTi (69)	100	07/15 03/17
INSIGNIA A Saloon (G09)	1.6 SIDI (69)	125	03/13 03/17
INSIGNIA A Saloon (G09)	1.6 Turbo (69)	132	07/08 03/17
INSIGNIA A Saloon (G09)	1.8 (69)	103	07/08 03/17
INSIGNIA A Saloon (G09)	2.0 CDTi (69)	88	03/12 03/17
INSIGNIA A Saloon (G09)	2.0 CDTi (69)	103	06/13 03/17
INSIGNIA A Saloon (G09)	2.0 CDTi (69)	81	07/08 03/17
INSIGNIA A Saloon (G09)	2.0 CDTi (69)	96	07/08 03/17
INSIGNIA A Saloon (G09)	2.0 CDTi (69)	118	07/08 03/17
INSIGNIA A Saloon (G09)	2.0 CDTi (69)	120	07/13 03/17
INSIGNIA A Saloon (G09)	2.0 CDTi (69)	125	11/14 03/17
INSIGNIA A Saloon (G09)	2.0 CDTi 4x4 (69)	118	06/10 03/17
INSIGNIA A Saloon (G09)	2.0 CDTi 4x4 (69)	120	07/13 03/17
INSIGNIA A Saloon (G09)	2.0 CDTi 4x4 (69)	125	11/14 03/17
INSIGNIA A Sports Tourer (G09)	1.4 (35)	103	09/11 06/13
INSIGNIA A Sports Tourer (G09)	1.4 LPG (35)	103	07/12 06/13
INSIGNIA A Sports Tourer (G09)	1.6 (35)	85	07/08 06/12
INSIGNIA A Sports Tourer (G09)	1.6 CDTi (35)	88	07/15 01/17
INSIGNIA A Sports Tourer (G09)	1.6 CDTi (35)	100	07/15 12/16
INSIGNIA A Sports Tourer (G09)	1.6 SIDI (35)	125	03/13 11/14
INSIGNIA A Sports Tourer (G09)	1.6 Turbo (35)	132	01/09 06/13
INSIGNIA A Sports Tourer (G09)	1.8 (35)	103	07/08 06/13
INSIGNIA A Sports Tourer (G09)	2.0 CDTi (35)	88	03/12 06/15
INSIGNIA A Sports Tourer (G09)	2.0 CDTi (35)	81	07/08 06/13
INSIGNIA A Sports Tourer (G09)	2.0 CDTi (35)	96	07/08 06/15
INSIGNIA A Sports Tourer (G09)	2.0 CDTi (35)	118	07/08 06/15
INSIGNIA A Sports Tourer (G09)	2.0 CDTi (35)	103	07/13 06/15
INSIGNIA A Sports Tourer (G09)	2.0 CDTi (35)	120	07/13 06/15
INSIGNIA A Sports Tourer (G09)	2.0 CDTi (35)	125	11/14 12/16

INSIGNIA A Sports Tourer (G09)	2.0 CDTI 4x4 (35)	118	06/10 06/15
INSIGNIA A Sports Tourer (G09)	2.0 CDTI 4x4 (35)	120	07/13 06/15
INSIGNIA A Sports Tourer (G09)	2.0 CDTI 4x4 (35)	125	11/14 12/16
SAAB			
Model	Typ	kW	Rok
9-5 (YS3G)	1.6 Turbo	132	05/10 01/12
9-5 (YS3G)	2.0 t BioPower	162	05/10 01/12
9-5 (YS3G)	2.0 t BioPower XWD	162	05/10 01/12
9-5 (YS3G)	2.0 TiD	118	05/10 01/12
9-5 (YS3G)	2.0 TTiD	140	05/10 01/12
9-5 (YS3G)	2.0 TTiD XWD	140	05/10 01/12
9-5 (YS3G)	2.0 Turbo	162	05/10 01/12
9-5 (YS3G)	2.0 Turbo XWD	162	05/10 01/12
9-5 (YS3G)	2.8 Turbo V6 XWD	221	05/10 01/12
VAUXHALL			
Model	Typ	kW	Rok
INSIGNIA Mk I (A) Hatchback (G09)	1.4 (68)	103	04/11 05/17
INSIGNIA Mk I (A) Hatchback (G09)	1.4 LPG (68)	103	07/12 05/17
INSIGNIA Mk I (A) Hatchback (G09)	1.6 CDTI (68)	100	07/15 05/17
INSIGNIA Mk I (A) Hatchback (G09)	1.6 Turbo (68)	132	01/09 05/17
INSIGNIA Mk I (A) Hatchback (G09)	1.6 Turbo (68)	125	07/13 05/17
INSIGNIA Mk I (A) Hatchback (G09)	1.8 (68)	103	07/08 05/17
INSIGNIA Mk I (A) Hatchback (G09)	2.0 CDTI (68)	88	03/12 03/16
INSIGNIA Mk I (A) Hatchback (G09)	2.0 CDTI (68)	81	07/08 05/17
INSIGNIA Mk I (A) Hatchback (G09)	2.0 CDTI (68)	118	07/08 05/17
INSIGNIA Mk I (A) Hatchback (G09)	2.0 CDTI (68)	96	07/08 12/14
INSIGNIA Mk I (A) Hatchback (G09)	2.0 CDTI (68)	103	07/13 05/17
INSIGNIA Mk I (A) Hatchback (G09)	2.0 CDTI (68)	120	07/13 05/17
INSIGNIA Mk I (A) Hatchback (G09)	2.0 CDTI (68)	125	11/14 05/17
INSIGNIA Mk I (A) Hatchback (G09)	2.0 CDTI 4x4 (68)	118	07/08 05/17
INSIGNIA Mk I (A) Hatchback (G09)	2.0 CDTI 4x4 (68)	125	11/14 05/17
INSIGNIA Mk I (A) Saloon (G09)	1.4 (69)	103	04/11 05/17

INSIGNIA Mk I (A) Saloon (G09)	1.4 LPG (69)	103	07/12 05/17
INSIGNIA Mk I (A) Saloon (G09)	1.6 Turbo (69)	132	01/09 05/17
INSIGNIA Mk I (A) Saloon (G09)	1.8 (69)	103	07/08 05/17
INSIGNIA Mk I (A) Saloon (G09)	2.0 CDTI (69)	118	07/08 05/17
INSIGNIA Mk I (A) Saloon (G09)	2.0 CDTI (69)	96	07/08 12/14
INSIGNIA Mk I (A) Saloon (G09)	2.0 CDTI (69)	103	07/13 05/17
INSIGNIA Mk I (A) Saloon (G09)	2.0 CDTI (69)	120	07/13 05/17
INSIGNIA Mk I (A) Saloon (G09)	2.0 CDTI (69)	125	11/14 05/17
INSIGNIA Mk I (A) Saloon (G09)	2.0 CDTI 4x4 (69)	118	07/08 05/17
INSIGNIA Mk I (A) Saloon (G09)	2.0 CDTI 4x4 (69)	125	11/14 05/17
INSIGNIA Mk I (A) Sports Tourer (G09)	1.4 (35)	103	04/11 05/17
INSIGNIA Mk I (A) Sports Tourer (G09)	1.4 LPG (35)	103	07/12 05/17
INSIGNIA Mk I (A) Sports Tourer (G09)	1.6 CDTI (35)	100	07/15 05/17
INSIGNIA Mk I (A) Sports Tourer (G09)	1.6 Turbo (35)	132	01/09 05/17
INSIGNIA Mk I (A) Sports Tourer (G09)	1.6 Turbo (35)	125	07/13 05/17
INSIGNIA Mk I (A) Sports Tourer (G09)	1.8 (35)	103	07/08 05/17
INSIGNIA Mk I (A) Sports Tourer (G09)	2.0 CDTI (35)	88	03/12 03/16
INSIGNIA Mk I (A) Sports Tourer (G09)	2.0 CDTI (35)	81	07/08 05/17
INSIGNIA Mk I (A) Sports Tourer (G09)	2.0 CDTI (35)	118	07/08 05/17
INSIGNIA Mk I (A) Sports Tourer (G09)	2.0 CDTI (35)	96	07/08 12/14
INSIGNIA Mk I (A) Sports Tourer (G09)	2.0 CDTI (35)	103	07/13 05/17
INSIGNIA Mk I (A) Sports Tourer (G09)	2.0 CDTI (35)	120	07/13 05/17
INSIGNIA Mk I (A) Sports Tourer (G09)	2.0 CDTI (35)	125	11/14 05/17
INSIGNIA Mk I (A) Sports Tourer (G09)	2.0 CDTI 4x4 (35)	118	07/08 05/17
INSIGNIA Mk I (A) Sports Tourer (G09)	2.0 CDTI 4x4 (35)	125	11/14 05/17

Numery OE

Pasujące kody OE

BUICK	23118529
CHEVROLET	13501307
CHEVROLET	23118529
OPEL	13502213

OPEL	13579147
OPEL	569063
OPEL	569078
OPEL	569421
SAAB	13502213
VAUXHALL	13501307
VAUXHALL	13502213