

Tarcza 09.A971.10

brembo
AFTERMARKET

Dane techniczne tarczy

Oś Przód

Średnica (Ø)
321 mm

Wysokość całkowita (A)
51 mm

Średnica centrowania (B)
67,4 mm

Ilość otworów (C)
5

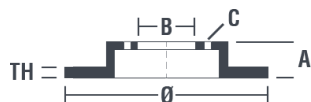
Grubość (TH)
30 mm

Grubość min.
27 mm

Moment dokręcania 
150 Nm

Sztuk w pudełku
1

Referencja EAN
8020584025833



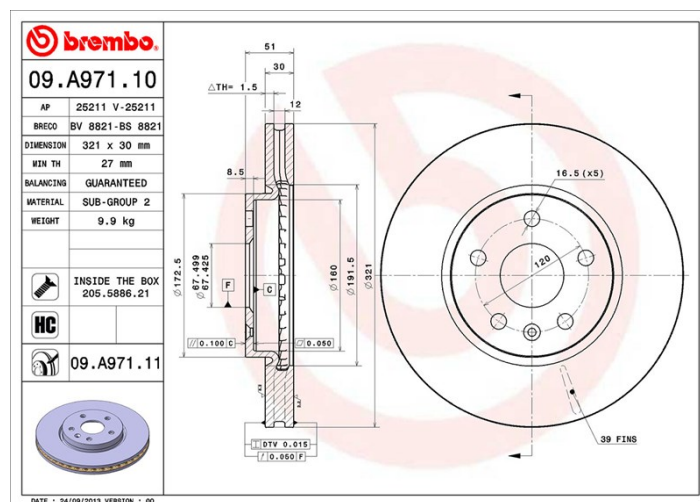
brembo

Kody marek

Brembo
09.A971.10

AP
25211

Breco
BS 8821



Specyfikacje techniczne

Tarcza High Carbon (HC)

Dzięki wysokiej procentowej zawartości węgla w składzie chemicznym żeliwa, tarcza HC zapewnia większy współczynnik tłumienia, redukujący wibracje i hałas podczas jazdy.

HC

Pasujące pojazdy

BUICK (SGM)

Model	Typ	kW	Rok
GL8 S II MPV (CU3)	2.4 SIDI	137	01/13 12/16
GL8 S II MPV (CU3)	2.4 SIDI	123	11/11 12/16
GL8 S II MPV (CU3)	3.0 V6 SIDI	190	11/10 -
LACROSSE	1.5 20T	125	03/16 -
LACROSSE	1.8 Hybrid	94	08/16 -
LACROSSE	2.0 28T	192	03/16 -
LACROSSE	2.0 Turbo	162	04/10 12/13
LACROSSE	2.0 Turbo	187	06/13 03/16

LACROSSE	2.4	137	01/11 -
LACROSSE	2.4 Hybrid	137	08/11 12/15
LACROSSE	3.0	195	02/12 03/16
LACROSSE	2.4	125	07/08 12/12
LACROSSE	3.0	190	07/09 12/12

CHEVROLET

Model	Typ	kW	Rok
CAMARO	3.6	232	01/11 12/15
CAMARO	3.6	215	04/11 12/11
CAMARO	3.6	224	09/09 12/10
CAMARO	3.6	241	09/11 12/15
CAMARO Convertible	3.6	232	01/11 -
CAMARO Convertible	3.6	241	09/11 -
EQUINOX	2.4	136	09/09 -
MALIBU (V300)	2.0 D	118	04/12 -
MALIBU (V300)	2.4	123	01/12 -
MALIBU (V300)	2.4	125	01/12 -

OPEL

Model	Typ	kW	Rok
INSIGNIA A (G09)	1.4 (68)	103	04/11 03/17
INSIGNIA A (G09)	1.4 LPG (68)	103	07/12 03/17
INSIGNIA A (G09)	1.6 (68)	85	07/08 03/17
INSIGNIA A (G09)	1.6 CDTi (68)	88	07/15 03/17
INSIGNIA A (G09)	1.6 CDTi (68)	100	07/15 03/17
INSIGNIA A (G09)	1.6 SIDI (68)	125	03/13 03/17
INSIGNIA A (G09)	1.6 Turbo (68)	132	07/08 03/17
INSIGNIA A (G09)	1.8 (68)	103	07/08 03/17
INSIGNIA A (G09)	2.0 Biturbo CDTI (68)	143	01/12 03/17
INSIGNIA A (G09)	2.0 Biturbo CDTI (68)	140	07/08 12/11
INSIGNIA A (G09)	2.0 Biturbo CDTI 4x4 (68)	143	01/12 03/17
INSIGNIA A (G09)	2.0 Biturbo CDTI 4x4 (68)	140	05/09 12/11
INSIGNIA A (G09)	2.0 CDTI (68)	88	03/12 03/17
INSIGNIA A (G09)	2.0 CDTI (68)	103	06/13 03/17
INSIGNIA A (G09)	2.0 CDTI (68)	81	07/08 03/17

INSIGNIA A (G09)	2.0 CDTI (68)	96	07/08 03/17
INSIGNIA A (G09)	2.0 CDTI (68)	118	07/08 03/17
INSIGNIA A (G09)	2.0 CDTI (68)	120	07/13 03/17
INSIGNIA A (G09)	2.0 CDTI (68)	125	11/14 03/17
INSIGNIA A (G09)	2.0 CDTI 4x4 (68)	118	06/10 03/17
INSIGNIA A (G09)	2.0 CDTI 4x4 (68)	120	07/13 03/17
INSIGNIA A (G09)	2.0 CDTI 4x4 (68)	125	11/14 03/17
INSIGNIA A (G09)	2.0 E85 Turbo (68)	162	10/10 03/17
INSIGNIA A (G09)	2.0 Turbo (68)	184	04/14 03/17
INSIGNIA A (G09)	2.0 Turbo (68)	162	07/08 03/17
INSIGNIA A (G09)	2.0 Turbo 4x4 (68)	162	07/08 03/17
INSIGNIA A (G09)	2.0 Turbo 4x4 (68)	184	07/11 03/17
INSIGNIA A Saloon (G09)	1.4 (69)	103	04/11 03/17
INSIGNIA A Saloon (G09)	1.4 LPG (69)	103	07/12 03/17
INSIGNIA A Saloon (G09)	1.6 (69)	85	07/08 03/17
INSIGNIA A Saloon (G09)	1.6 CDTi (69)	88	07/15 03/17
INSIGNIA A Saloon (G09)	1.6 CDTi (69)	100	07/15 03/17
INSIGNIA A Saloon (G09)	1.6 SIDI (69)	125	03/13 03/17
INSIGNIA A Saloon (G09)	1.6 Turbo (69)	132	07/08 03/17
INSIGNIA A Saloon (G09)	1.8 (69)	103	07/08 03/17
INSIGNIA A Saloon (G09)	2.0 Biturbo CDTI (69)	143	01/12 03/17
INSIGNIA A Saloon (G09)	2.0 Biturbo CDTI (69)	140	07/08 12/11
INSIGNIA A Saloon (G09)	2.0 Biturbo CDTI 4x4 (69)	143	01/12 03/17
INSIGNIA A Saloon (G09)	2.0 Biturbo CDTI 4x4 (69)	140	07/08 12/11
INSIGNIA A Saloon (G09)	2.0 CDTI (69)	88	03/12 03/17
INSIGNIA A Saloon (G09)	2.0 CDTI (69)	103	06/13 03/17
INSIGNIA A Saloon (G09)	2.0 CDTI (69)	81	07/08 03/17
INSIGNIA A Saloon (G09)	2.0 CDTI (69)	96	07/08 03/17
INSIGNIA A Saloon (G09)	2.0 CDTI (69)	118	07/08 03/17
INSIGNIA A Saloon (G09)	2.0 CDTI (69)	120	07/13 03/17
INSIGNIA A Saloon (G09)	2.0 CDTI (69)	125	11/14 03/17
INSIGNIA A Saloon (G09)	2.0 CDTI 4x4 (69)	118	06/10 03/17
INSIGNIA A Saloon (G09)	2.0 CDTI 4x4 (69)	120	07/13 03/17
INSIGNIA A Saloon (G09)	2.0 CDTI 4x4 (69)	125	11/14 03/17

INSIGNIA A Saloon (G09)	2.0 Turbo (69)	184	04/14 03/17
INSIGNIA A Saloon (G09)	2.0 Turbo (69)	162	07/08 03/17
INSIGNIA A Saloon (G09)	2.0 Turbo 4x4 (69)	162	07/08 03/17
INSIGNIA A Saloon (G09)	2.0 Turbo 4x4 (69)	184	07/11 03/17
INSIGNIA A Saloon (G09)	2.0 Turbo E85 (69)	162	07/08 03/17
INSIGNIA A Sports Tourer (G09)	1.4 (35)	103	09/11 06/13
INSIGNIA A Sports Tourer (G09)	1.4 LPG (35)	103	07/12 06/13
INSIGNIA A Sports Tourer (G09)	1.6 (35)	85	07/08 06/12
INSIGNIA A Sports Tourer (G09)	1.6 CDTi (35)	88	07/15 01/17
INSIGNIA A Sports Tourer (G09)	1.6 CDTi (35)	100	07/15 12/16
INSIGNIA A Sports Tourer (G09)	1.6 SIDI (35)	125	03/13 11/14
INSIGNIA A Sports Tourer (G09)	1.6 Turbo (35)	132	01/09 06/13
INSIGNIA A Sports Tourer (G09)	1.8 (35)	103	07/08 06/13
INSIGNIA A Sports Tourer (G09)	2.0 Biturbo CDTI (35)	143	01/12 06/15
INSIGNIA A Sports Tourer (G09)	2.0 Biturbo CDTI (35)	140	07/08 03/17
INSIGNIA A Sports Tourer (G09)	2.0 Biturbo CDTI 4x4 (35)	143	01/12 06/15
INSIGNIA A Sports Tourer (G09)	2.0 Biturbo CDTI 4x4 (35)	140	07/08 03/17
INSIGNIA A Sports Tourer (G09)	2.0 CDTI (35)	88	03/12 06/15
INSIGNIA A Sports Tourer (G09)	2.0 CDTI (35)	81	07/08 06/13
INSIGNIA A Sports Tourer (G09)	2.0 CDTI (35)	96	07/08 06/15
INSIGNIA A Sports Tourer (G09)	2.0 CDTI (35)	118	07/08 06/15
INSIGNIA A Sports Tourer (G09)	2.0 CDTI (35)	103	07/13 06/15
INSIGNIA A Sports Tourer (G09)	2.0 CDTI (35)	120	07/13 06/15
INSIGNIA A Sports Tourer (G09)	2.0 CDTI (35)	125	11/14 12/16
INSIGNIA A Sports Tourer (G09)	2.0 CDTI 4x4 (35)	118	06/10 06/15
INSIGNIA A Sports Tourer (G09)	2.0 CDTI 4x4 (35)	120	07/13 06/15
INSIGNIA A Sports Tourer (G09)	2.0 CDTI 4x4 (35)	125	11/14 12/16
INSIGNIA A Sports Tourer (G09)	2.0 E85 Turbo (35)	162	09/10 11/11
INSIGNIA A Sports Tourer (G09)	2.0 Turbo (35)	162	07/08 06/13
INSIGNIA A Sports Tourer (G09)	2.0 Turbo (35)	184	04/14 11/14
INSIGNIA A Sports Tourer (G09)	2.0 Turbo 4x4 (35)	162	07/08 06/11
INSIGNIA A Sports Tourer (G09)	2.0 Turbo 4x4 (35)	184	09/11 06/13

ROEWE (SAIC)

Model	Typ	kW	Rok
-------	-----	----	-----

950	1.8 TGI	136	07/15 -
950	2.0	108	07/12 12/15
950	2.0 TGI	162	07/15 -
950	2.4 TGI	137	07/12 12/15
950	3.0 V6 TGI	190	07/12 12/15
E950	1.4 Hybrid	112	04/16 -

SAAB

Model	Typ	kW	Rok
9-5 (YS3G)	1.6 Turbo	132	05/10 01/12
9-5 (YS3G)	2.0 t BioPower	162	05/10 01/12
9-5 (YS3G)	2.0 t BioPower XWD	162	05/10 01/12
9-5 (YS3G)	2.0 TiD	118	05/10 01/12
9-5 (YS3G)	2.0 TTiD	140	05/10 01/12
9-5 (YS3G)	2.0 TTiD XWD	140	05/10 01/12
9-5 (YS3G)	2.0 Turbo	162	05/10 01/12
9-5 (YS3G)	2.0 Turbo XWD	162	05/10 01/12
9-5 (YS3G)	2.8 Turbo V6 XWD	221	05/10 01/12

VAUXHALL

Model	Typ	kW	Rok
INSIGNIA Mk I (A) Hatchback (G09)	1.4 (68)	103	04/11 05/17
INSIGNIA Mk I (A) Hatchback (G09)	1.4 LPG (68)	103	07/12 05/17
INSIGNIA Mk I (A) Hatchback (G09)	1.6 CDTI (68)	100	07/15 05/17
INSIGNIA Mk I (A) Hatchback (G09)	1.6 Turbo (68)	132	01/09 05/17
INSIGNIA Mk I (A) Hatchback (G09)	1.6 Turbo (68)	125	07/13 05/17
INSIGNIA Mk I (A) Hatchback (G09)	1.8 (68)	103	07/08 05/17
INSIGNIA Mk I (A) Hatchback (G09)	2.0 Biturbo CDTI (68)	143	03/12 05/17
INSIGNIA Mk I (A) Hatchback (G09)	2.0 Biturbo CDTI 4x4 (68)	143	03/12 05/17
INSIGNIA Mk I (A) Hatchback (G09)	2.0 CDTI (68)	88	03/12 03/16
INSIGNIA Mk I (A) Hatchback (G09)	2.0 CDTI (68)	81	07/08 05/17
INSIGNIA Mk I (A) Hatchback (G09)	2.0 CDTI (68)	118	07/08 05/17
INSIGNIA Mk I (A) Hatchback (G09)	2.0 CDTI (68)	96	07/08 12/14
INSIGNIA Mk I (A) Hatchback (G09)	2.0 CDTI (68)	103	07/13 05/17
INSIGNIA Mk I (A) Hatchback (G09)	2.0 CDTI (68)	120	07/13 05/17
INSIGNIA Mk I (A) Hatchback (G09)	2.0 CDTI (68)	140	10/08 05/17

INSIGNIA Mk I (A) Hatchback (G09)	2.0 CDTI (68)	125	11/14 05/17
INSIGNIA Mk I (A) Hatchback (G09)	2.0 CDTI 4x4 (68)	140	05/09 05/17
INSIGNIA Mk I (A) Hatchback (G09)	2.0 CDTI 4x4 (68)	118	07/08 05/17
INSIGNIA Mk I (A) Hatchback (G09)	2.0 CDTI 4x4 (68)	125	11/14 05/17
INSIGNIA Mk I (A) Hatchback (G09)	2.0 Turbo (68)	184	04/14 05/17
INSIGNIA Mk I (A) Hatchback (G09)	2.0 Turbo (68)	162	07/08 05/17
INSIGNIA Mk I (A) Hatchback (G09)	2.0 Turbo 4x4 (68)	162	07/08 05/17
INSIGNIA Mk I (A) Hatchback (G09)	2.0 Turbo 4x4 (68)	184	09/11 05/17
INSIGNIA Mk I (A) Saloon (G09)	1.4 (69)	103	04/11 05/17
INSIGNIA Mk I (A) Saloon (G09)	1.4 LPG (69)	103	07/12 05/17
INSIGNIA Mk I (A) Saloon (G09)	1.6 Turbo (69)	132	01/09 05/17
INSIGNIA Mk I (A) Saloon (G09)	1.8 (69)	103	07/08 05/17
INSIGNIA Mk I (A) Saloon (G09)	2.0 Biturbo CDTI (69)	143	03/12 05/17
INSIGNIA Mk I (A) Saloon (G09)	2.0 Biturbo CDTI 4x4 (69)	143	03/12 05/17
INSIGNIA Mk I (A) Saloon (G09)	2.0 CDTI (69)	88	03/12 12/14
INSIGNIA Mk I (A) Saloon (G09)	2.0 CDTI (69)	81	07/08 05/17
INSIGNIA Mk I (A) Saloon (G09)	2.0 CDTI (69)	118	07/08 05/17
INSIGNIA Mk I (A) Saloon (G09)	2.0 CDTI (69)	96	07/08 12/14
INSIGNIA Mk I (A) Saloon (G09)	2.0 CDTI (69)	103	07/13 05/17
INSIGNIA Mk I (A) Saloon (G09)	2.0 CDTI (69)	120	07/13 05/17
INSIGNIA Mk I (A) Saloon (G09)	2.0 CDTI (69)	140	11/08 05/17
INSIGNIA Mk I (A) Saloon (G09)	2.0 CDTI (69)	125	11/14 05/17
INSIGNIA Mk I (A) Saloon (G09)	2.0 CDTI 4x4 (69)	140	05/09 05/17
INSIGNIA Mk I (A) Saloon (G09)	2.0 CDTI 4x4 (69)	118	07/08 05/17
INSIGNIA Mk I (A) Saloon (G09)	2.0 CDTI 4x4 (69)	125	11/14 05/17
INSIGNIA Mk I (A) Saloon (G09)	2.0 Turbo (69)	162	07/08 05/17
INSIGNIA Mk I (A) Saloon (G09)	2.0 Turbo (69)	184	09/11 05/17
INSIGNIA Mk I (A) Saloon (G09)	2.0 Turbo 4x4 (69)	162	07/08 05/17
INSIGNIA Mk I (A) Saloon (G09)	2.0 Turbo 4x4 (69)	184	09/11 05/17
INSIGNIA Mk I (A) Sports Tourer (G09)	1.4 (35)	103	04/11 05/17
INSIGNIA Mk I (A) Sports Tourer (G09)	1.4 LPG (35)	103	07/12 05/17
INSIGNIA Mk I (A) Sports Tourer (G09)	1.6 CDTI (35)	100	07/15 05/17
INSIGNIA Mk I (A) Sports Tourer (G09)	1.6 Turbo (35)	132	01/09 05/17
INSIGNIA Mk I (A) Sports Tourer (G09)	1.6 Turbo (35)	125	07/13 05/17

INSIGNIA Mk I (A) Sports Tourer (G09)	1.8 (35)	103	07/08 05/17
INSIGNIA Mk I (A) Sports Tourer (G09)	2.0 Biturbo CDTI (35)	143	03/12 05/17
INSIGNIA Mk I (A) Sports Tourer (G09)	2.0 Biturbo CDTI 4x4 (35)	143	03/12 05/17
INSIGNIA Mk I (A) Sports Tourer (G09)	2.0 CDTI (35)	88	03/12 03/16
INSIGNIA Mk I (A) Sports Tourer (G09)	2.0 CDTI (35)	81	07/08 05/17
INSIGNIA Mk I (A) Sports Tourer (G09)	2.0 CDTI (35)	118	07/08 05/17
INSIGNIA Mk I (A) Sports Tourer (G09)	2.0 CDTI (35)	96	07/08 12/14
INSIGNIA Mk I (A) Sports Tourer (G09)	2.0 CDTI (35)	103	07/13 05/17
INSIGNIA Mk I (A) Sports Tourer (G09)	2.0 CDTI (35)	120	07/13 05/17
INSIGNIA Mk I (A) Sports Tourer (G09)	2.0 CDTI (35)	140	11/08 05/17
INSIGNIA Mk I (A) Sports Tourer (G09)	2.0 CDTI (35)	125	11/14 05/17
INSIGNIA Mk I (A) Sports Tourer (G09)	2.0 CDTI 4x4 (35)	140	05/09 05/17
INSIGNIA Mk I (A) Sports Tourer (G09)	2.0 CDTI 4x4 (35)	118	07/08 05/17
INSIGNIA Mk I (A) Sports Tourer (G09)	2.0 CDTI 4x4 (35)	125	11/14 05/17
INSIGNIA Mk I (A) Sports Tourer (G09)	2.0 Turbo (35)	184	04/14 05/17
INSIGNIA Mk I (A) Sports Tourer (G09)	2.0 Turbo (35)	162	07/08 05/17
INSIGNIA Mk I (A) Sports Tourer (G09)	2.0 Turbo 4x4 (35)	162	07/08 05/17
INSIGNIA Mk I (A) Sports Tourer (G09)	2.0 Turbo 4x4 (35)	184	09/11 05/17

Numery OE

Pasujące kody OE

BUICK	23118530
CHEVROLET	13501303
CHEVROLET	13501308
CHEVROLET	13501320
CHEVROLET	23118055
CHEVROLET	23118530
GMC	23118055
OPEL	13579150
OPEL	569064
OPEL	569083
OPEL	569422
SAAB	13502214
VAUXHALL	13501308

