



BRAKE DISC PAINTED

09.N235.21

The 09.N235.21 painted brake disc is synonymous with reliability

The Brembo brake disc with special UV paint treatment guarantees superior corrosion resistance for the product, thanks to the protective coating on the outer edges and on the disc hub. The UV paint not only gives the disc a clean, shiny appearance but is also beneficial for the environment as the water-based UV paint treatment does not require the use of chemical solvents and is a low energy consumption process.

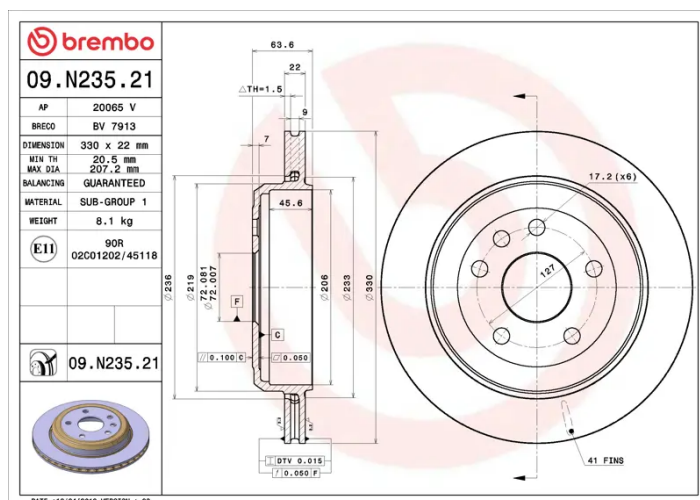
- ✓ OE-equivalent
- ✓ Brembo quality
- ✓ ECE-R90 certificate
- ✓ Safety
- ✓ Anti-corrosion



Technical specifications



EAN code 8020584238950	Axle Rear	Diameter Ø 330 mm
Thickness (TH) 22 mm	Height (A) 64 mm	Number of holes (C) 6
Brake disc type Ventilated	Centering (B) 72 mm	Min. thickness 20,5 mm



COMPATIBLE VEHICLES

COMPATIBLE OE PART NUMBERS

68035022AB	DODGE
------------	-------

00K68035022AB	JEEP
---------------	------

00K68035022AC	JEEP
---------------	------

00K68035022AD	JEEP
---------------	------

00K68035022AE	JEEP
---------------	------

2AMV5022AD	JEEP
------------	------

68035022AB	JEEP
------------	------

68035022AC	JEEP
------------	------

68035022AD	JEEP
------------	------

68035022AE	JEEP
------------	------

68040048AA	JEEP
------------	------

68240048AA	JEEP
------------	------

68240048AB	JEEP
------------	------