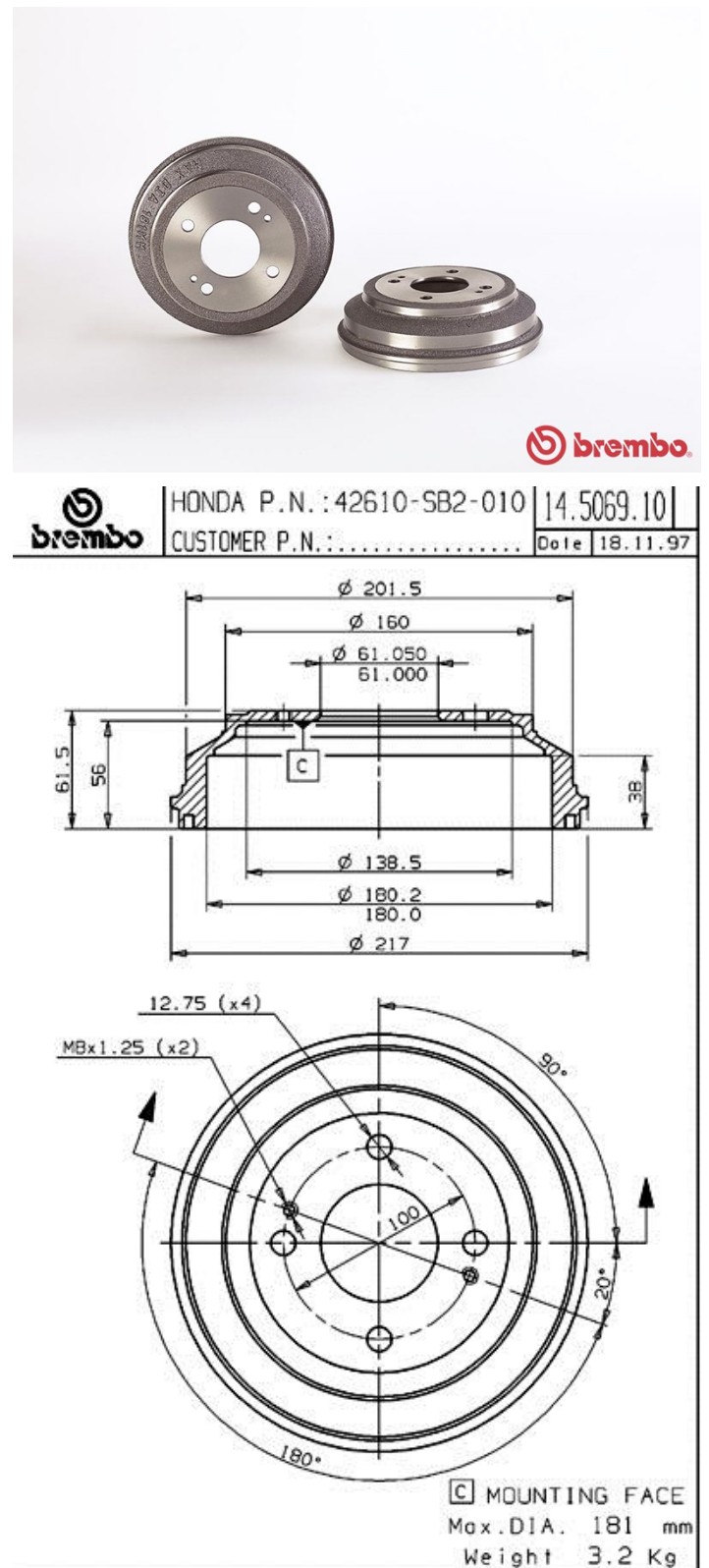
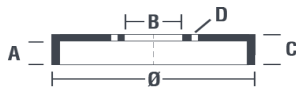


Bęben 14.5069.10

 **brembo**
AFTERMARKET

Dane techniczne bębna

Oś Tył	Średnica (Ø) 180,00 mm
Średnica maks (Średnica maks) 181,00 mm	Średnica maks 181,00 mm
Szerokość 38,00 mm	Średnica centrowania (B) 61 mm
Wysokość łączna (C) 61,50 mm	Ilość otworów (D) 4,00
Ze łożyskiem	Referencja EAN 8020584506912



Pasujące pojazdy

HONDA

Model	Typ	kW	Rok
CIVIC III Hatchback (AL, AJ, AG, AH)	1.2 (AL)	40	01/84 10/87

CIVIC III Hatchback (AL, AJ, AG, AH)	1.3 (AG)	52	10/83 10/87
CIVIC III Hatchback (AL, AJ, AG, AH)	1.5 GL (AH)	63	10/83 10/87
CIVIC III Hatchback (AL, AJ, AG, AH)	1.5 GT (AH)	74	01/85 10/87
CIVIC III Hatchback (AL, AJ, AG, AH)	1.5 GTI (AH)	66	03/86 10/87
CIVIC III Saloon (AM, AK, AU)	1.2	40	01/85 10/87
CIVIC III Saloon (AM, AK, AU)	1.3	52	10/83 10/87
CIVIC III Saloon (AM, AK, AU)	1.5 GL	63	10/83 10/87
CIVIC III Saloon (AM, AK, AU)	1.5 GT	74	01/85 10/87
CIVIC III Saloon (AM, AK, AU)	1.5 GTI	66	03/86 10/87
CIVIC IV Hatchback (EC, ED, EE)	1.3 (EC8)	55	10/87 12/89
CIVIC IV Hatchback (EC, ED, EE)	1.3 16V Cat (EC8)	55	09/89 09/91
CIVIC IV Hatchback (EC, ED, EE)	1.4 L (EC9)	66	10/87 12/89
CIVIC IV Hatchback (EC, ED, EE)	1.5	60	01/88 12/89
CIVIC IV Hatchback (EC, ED, EE)	1.5 i 16V	66	10/88 09/91
CIVIC IV Hatchback (EC, ED, EE)	1.5 i 16V (ED6)	69	10/88 09/91
CIVIC IV Hatchback (EC, ED, EE)	1.6 i 16V (ED7)	80	10/87 09/91
CIVIC IV Hatchback (EC, ED, EE)	1.6 i 16V (ED7)	81	10/87 09/91
CIVIC IV Saloon (ED)	1.3	55	10/87 12/89
CIVIC IV Saloon (ED)	1.4 L (ED2)	66	10/87 12/89
CIVIC IV Saloon (ED)	1.5	60	01/88 12/89
CIVIC IV Saloon (ED)	1.5 i 16V	66	10/87 09/91
CIVIC IV Saloon (ED)	1.5 i 16V (ED3)	69	10/87 09/91
CIVIC IV Saloon (ED)	1.6 i 16V (ED4)	81	10/87 09/91
CIVIC IV Saloon (ED)	1.6 i 16V (ED4)	80	11/87 09/91
CIVIC V Hatchback (EG)	1.3 16V (EG3)	55	10/91 11/95
CIVIC V Hatchback (EG)	1.5 i 16V (EG4)	66	10/91 11/95
CIVIC V Hatchback (EG)	1.5 i 16V (EG4)	69	10/91 11/95
CIVIC V Saloon (EG, EH)	1.3	55	01/92 12/92
CRX I (AF, AS)	1.3	52	10/83 10/87
CRX I (AF, AS)	1.5 i (AF)	74	10/83 11/86
CRX I (AF, AS)	1.6 i 16V (AS)	92	03/86 10/87
CRX II (ED, EE)	1.6 i 16V (ED9)	91	10/87 02/92
CRX II (ED, EE)	1.6 i 16V (ED9)	96	10/87 12/89

Model	Typ	kW	Rok
200 Saloon (XH)	213 S	54	09/85 09/89
200 Saloon (XH)	216	61	03/85 09/89
200 Saloon (XH)	216 Vitesse	75	09/84 09/89

Numery OE

Pasujące kody OE

HONDA	42610SB2010
HONDA	42610SB2761
ROVER	DBP3798
ROVER	GDB115