

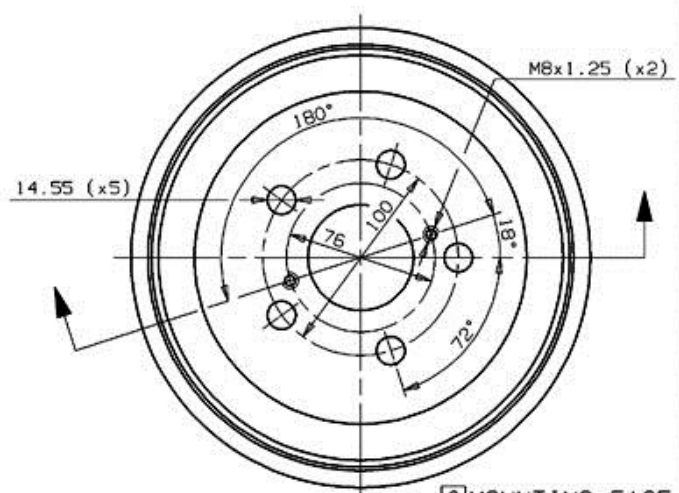
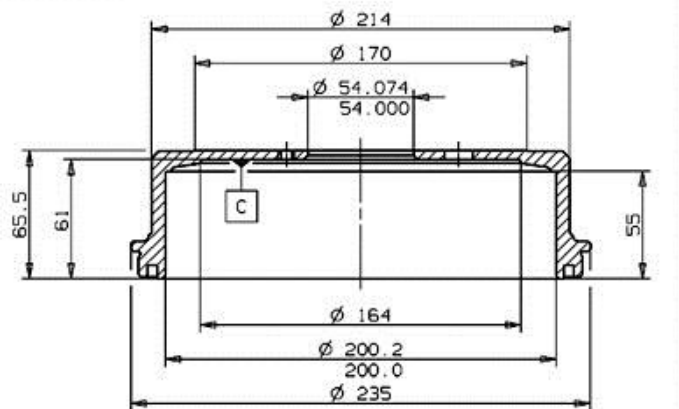
Dane techniczne bębna

Oś Tył	Średnica (Ø) 200,00 mm
Średnica maks (Średnica maks) 201,00 mm	Średnica maks 201,00 mm
Szerokość 55,00 mm	Średnica centrowania (B) 54 mm
Wysokość łączna (C) 65,50 mm	Ilość otworów (D) 5,00
Ze łożyskiem	Referencja EAN 8020584581414



TOYOTA P.N.: 42431-32020
CUSTOMER P.N.:

14.5814.10
Date 17.01.97



[C] MOUNTING FACE
Max. DIA. 201 mm
Weight 4.5 Kg

Pasujące pojazdy

TOYOTA

Model	Typ	kW	Rok
CAMRY (_V2_)	1.8 (SV20_)	66	10/86 08/88

CAMRY (_V2_)	2.0 (SV21_)	94	11/86 05/91
CAMRY (_V2_)	2.0 (SV21_)	89	11/86 02/93
CAMRY (_V2_)	2.0 Turbo-D (CV20_)	63	10/86 05/91
CAMRY (_V2_)	2.0 Turbo-D (CV20_)	62	11/86 05/91
CAMRY Estate (_V2_)	1.8 (SV20_)	66	11/86 08/89
CAMRY Estate (_V2_)	2.0 (SV21_)	93	09/89 06/91
CAMRY Estate (_V2_)	2.0 (SV21_)	94	11/86 05/91
CAMRY Estate (_V2_)	2.0 (SV21_)	89	11/86 02/93
CAMRY Estate (_V2_)	2.0 4WD (SV25_)	94	08/88 05/91
CAMRY Estate (_V2_)	2.0 Turbo-D (CV20_)	62	11/86 05/91
CAMRY Estate (_V2_)	2.0 Turbo-D (CV20_)	63	11/88 05/91
CAMRY Liftback (_V1_)	2.0 (SV11_)	73	01/83 12/86
CAMRY Saloon (_V1_)	2.0 (SV11_)	73	02/83 12/86
CARINA II (_T17_)	1.6 (AT171_)	72	12/87 03/92
CARINA II (_T17_)	1.6 (AT171_)	75	12/87 03/92
CARINA II (_T17_)	1.6 (AT171_)	66	12/87 11/89
CARINA II (_T17_)	2.0 D (CT170_)	54	03/88 06/92
CARINA II (_T17_)	2.0 GLI (ST171)	89	12/87 03/92
CARINA II Estate (_T17_)	1.6 (AT171_)	72	12/87 03/92
CARINA II Estate (_T17_)	1.6 (AT171_)	75	12/87 03/92
CARINA II Estate (_T17_)	1.6 (AT171_)	66	12/87 12/89
CARINA II Estate (_T17_)	2.0 (ST171_)	89	12/87 04/92
CARINA II Estate (_T17_)	2.0 D (CT170_)	54	12/87 01/92
CARINA II Saloon (_T17_)	1.6 (AT171_)	72	12/87 03/92
CARINA II Saloon (_T17_)	1.6 (AT171_)	75	12/87 03/92
CARINA II Saloon (_T17_)	1.6 (AT171_)	66	12/87 08/90
CARINA II Saloon (_T17_)	2.0 D (CT170_)	54	03/88 06/92
CARINA II Saloon (_T17_)	2.0 GLI (ST171)	89	12/87 03/92
CELICA Coupe (_T18_)	1.6 (AT180)	77	09/89 12/93

Numery OE

Pasujące kody OE

TOYOTA

4243132020