

## Dane techniczne bębna

### Oś Tył

**Średnica maks** (Średnica maks)  
182,00 mm

**Szerokość**  
44,00 mm

**Wysokość łączna** (C)  
62,50 mm

### Ze łożyskiem

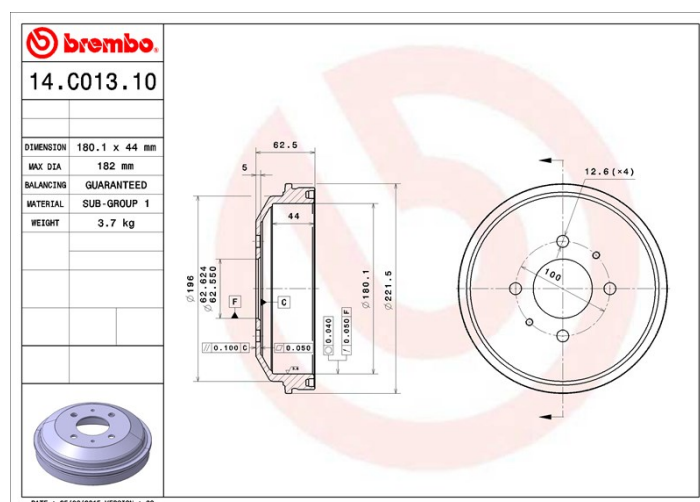
**Średnica** (Ø)  
180,00 mm

**Średnica maks**  
182,00 mm

**Średnica centrowania** (B)  
62,5 mm

**Ilość otworów** (D)  
4,00

**Referencja EAN**  
8020584219768



## Pasujące pojazdy

### HYUNDAI

Model	Typ	kW	Rok
ACCENT II (LC) / SOLARIS II (LC)	1.3	55	01/00 11/05
ACCENT II (LC) / SOLARIS II (LC)	1.3	61	01/00 11/05
ACCENT II (LC) / SOLARIS II (LC)	1.3	63	01/00 11/05
ACCENT II (LC) / SOLARIS II (LC)	1.3	62	08/02 11/05
ACCENT II (LC) / SOLARIS II (LC)	1.5	68	01/00 10/02
ACCENT II (LC) / SOLARIS II (LC)	1.5	66	01/00 11/05
ACCENT II (LC) / SOLARIS II (LC)	1.5	75	09/00 11/05
ACCENT II (LC) / SOLARIS II (LC)	1.5	65	09/99 10/02
ACCENT II (LC) / SOLARIS II (LC)	1.5	77	09/99 10/02
ACCENT II (LC) / SOLARIS II (LC)	1.5 CRDi	60	04/02 11/05
ACCENT II (LC) / SOLARIS II (LC)	1.6	77	12/02 11/05

ACCENT II Saloon (LC) / SOLARIS II Saloon (LC)	1.3	55	01/00 11/05
ACCENT II Saloon (LC) / SOLARIS II Saloon (LC)	1.3	63	01/00 11/05
ACCENT II Saloon (LC) / SOLARIS II Saloon (LC)	1.5	66	01/00 11/05
ACCENT II Saloon (LC) / SOLARIS II Saloon (LC)	1.5	69	01/00 12/06
ACCENT II Saloon (LC) / SOLARIS II Saloon (LC)	1.5	73	09/99 10/02
ACCENT II Saloon (LC) / SOLARIS II Saloon (LC)	1.5	75	09/99 10/02
ACCENT II Saloon (LC) / SOLARIS II Saloon (LC)	1.5 CRDi	60	01/02 11/05
ACCENT II Saloon (LC) / SOLARIS II Saloon (LC)	1.6	77	12/02 11/05

## Numery OE

### Pasujące kody OE

HYUNDAI	5841125010
HYUNDAI	5841125100