



BRAKE PAD PRIME CERAMIC P06011N

The P06011N NAO brake pad is synonymous with reliability

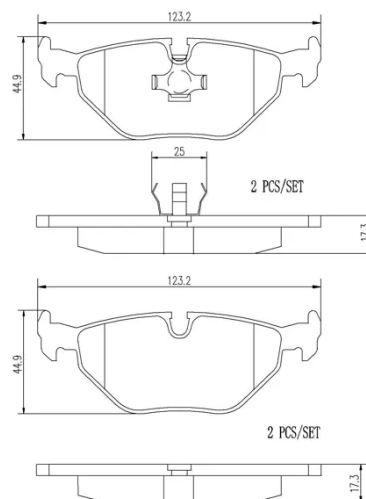
Brembo NAO brake pads stand out for their ultimate braking comfort, reduced friction wear and low dust mission, which makes for cleaner rims and reduced maintenance requirements. The advanced friction material in keeping with the strictest environmental standards is the main distinguishing feature of NAO compounds.

- ✓ OE-equivalent
- ✓ Brembo quality
- ✓ Safety
- ✓ Comfort
- ✓ Durability
- ✓ Dust reduction
- ✓ With accessories



Technical specifications

EAN code 8020584087862	Axle Rear	Thickness 17 mm
Width 123 mm	Height 45 mm	Braking system Teves
Wear indicator Prepared for wear indicator	WVA number 20995,20996	Accessories With accessories With anti-squeal shim With piston clip



COMPATIBLE VEHICLES

COMPATIBLE OE PART NUMBERS

34211157044 BMW

34211157334 BMW

34211157563 BMW

34211157814 BMW

34211158108 BMW

34211158136 BMW

34211158221 BMW

34211158266 BMW

34211158270 BMW

34211158562 BMW

34211159814 BMW

34211160198 BMW

34211160199 BMW

34211162536 BMW

34212225860 BMW

34212225865 BMW

34212226092 BMW

34216761253 BMW
