

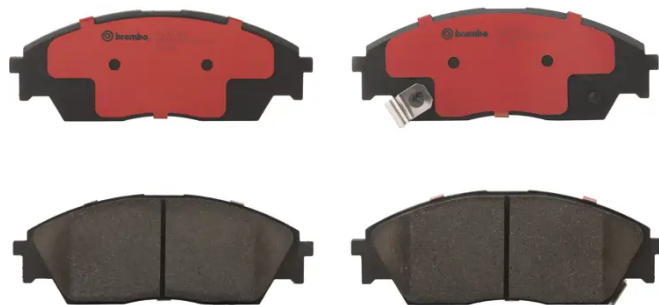


# BRAKE PAD PRIME CERAMIC P28016N

The P28016N NAO brake pad is synonymous with reliability

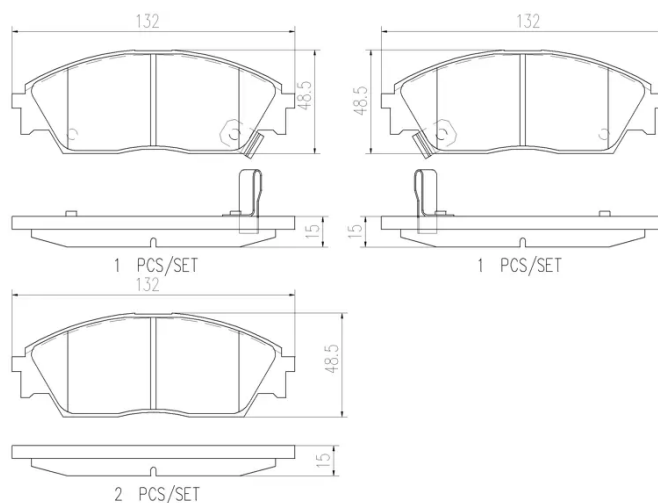
Brembo NAO brake pads stand out for their ultimate braking comfort, reduced friction wear and low dust mission, which makes for cleaner rims and reduced maintenance requirements. The advanced friction material in keeping with the strictest environmental standards is the main distinguishing feature of NAO compounds.

- ✓ OE-equivalent
- ✓ Brembo quality
- ✓ Safety
- ✓ Comfort
- ✓ Durability
- ✓ Dust reduction
- ✓ With accessories



## Technical specifications

EAN code <b>8020584088555</b>	Axle <b>Front</b>	Thickness <b>15 mm</b>
Width <b>132 mm</b>	Height <b>49 mm</b>	Braking system <b>Akebono</b>
Wear indicator <b>Acoustic</b>	WVA number <b>21322,21323,21324</b>	Accessories <b>With anti-squeal shim</b>



## COMPATIBLE OE PART NUMBERS

45022SE0000 HONDA

---

45022SE0010 HONDA

---

45022SE0020 HONDA

---

45022SE0509 HONDA

---

45022SF1000 HONDA

---

45022SF1010 HONDA

---

45022SF1020 HONDA

---

45022SF1023 HONDA

---

45022SF1305 HONDA

---

45022SF1505 HONDA

---

45022SF1506 HONDA

---

45022SF1515 HONDA

---

45022SF1525 HONDA

---

45022SF1526 HONDA

---

45022SH3317 HONDA

---

45022SH3327 HONDA

---

45022SH3505 HONDA

---

45022SH3509 HONDA

---

45022SH3515 HONDA

---

45022SH3519 HONDA

---

45022SH3539 HONDA

---

45022SH3549 HONDA

---

45022SH3930 HONDA

---

45022SH3931 HONDA

---

45022SH3932 HONDA

---

45022SH3933 HONDA

---

45022SH3934 HONDA

---

45022SH3G30 HONDA

---

45022SH3G31 HONDA

---

45022SH3G32 HONDA

---

45022SH3G33 HONDA

---

H4502SH3003 HONDA

---

AY040HN001 NISSAN

---

AY040HN004 NISSAN

---