



BRAKE PAD PRIME CERAMIC P59016N

The P59016N NAO brake pad is
synonymous with reliability

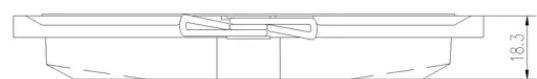
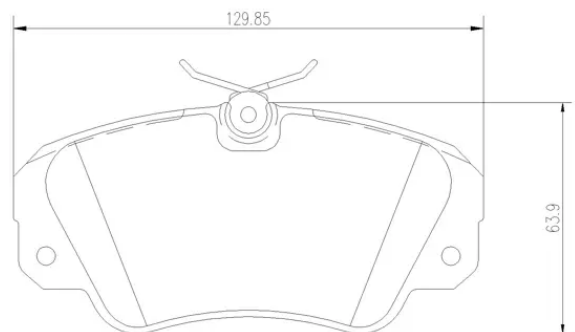
Brembo NAO brake pads stand out for their ultimate braking comfort, reduced friction wear and low dust mission, which makes for cleaner rims and reduced maintenance requirements. The advanced friction material in keeping with the strictest environmental standards is the main distinguishing feature of NAO compounds.

- ✓ OE-equivalent
- ✓ Brembo quality
- ✓ Safety
- ✓ Comfort
- ✓ Durability
- ✓ Dust reduction
- ✓ With accessories



Technical specifications

EAN code	Axle	Thickness
8020584099056	Front	18 mm
Width	Height	Braking system
130 mm	64 mm	Lucas
Wear indicator	WVA number	Accessories
Prepared for wear indicator	21368	With anti-squeal shim



4PCS/SET

COMPATIBLE OE PART NUMBERS

1605004	OPEL
1605033	OPEL
1605782	OPEL
1605785	OPEL
1605932	OPEL
90393506	OPEL
90398116	VAUXHALL
90541293	VAUXHALL
9192124	VAUXHALL
9195077	VAUXHALL