



BRAKE PAD PRIME CERAMIC P85128N

The P85128N NAO brake pad is
synonymous with reliability

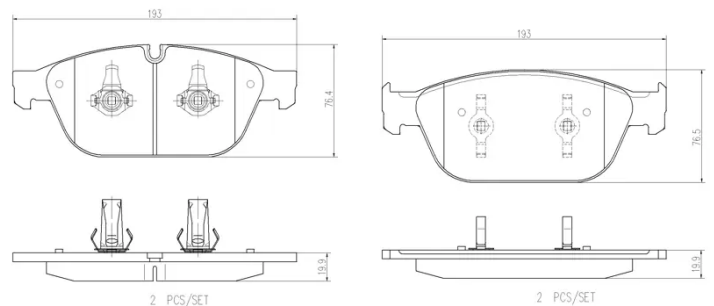
Brembo NAO brake pads stand out for their ultimate braking comfort, reduced friction wear and low dust mission, which makes for cleaner rims and reduced maintenance requirements. The advanced friction material in keeping with the strictest environmental standards is the main distinguishing feature of NAO compounds.

- ✓ OE-equivalent
- ✓ Brembo quality
- ✓ Safety
- ✓ Comfort
- ✓ Durability
- ✓ Dust reduction
- ✓ With accessories



Technical specifications

EAN code 8020584083260	Axle Front	Thickness 20 mm
Width 193 mm	Height 77 mm	Braking system Teves
Wear indicator Prepared for wear indicator	WVA number 25160,25161	Accessories With accessories With anti-squeal shim With piston clip



COMPATIBLE VEHICLES

COMPATIBLE OE PART NUMBERS

4H0698151E	AUDI
------------	------

4H0698151H	AUDI
------------	------

4H0698151L	AUDI
------------	------

4H0698151N	AUDI
------------	------

8R0698151AF	AUDI
-------------	------

8R0698151F	AUDI
------------	------

8R0698151R	AUDI
------------	------

4H0698151E	SEAT
------------	------

4H0698151H	SEAT
------------	------

4H0698151L	SEAT
------------	------

4H0698151N	SEAT
------------	------

8R0698151F	SEAT
------------	------

8R0698151R	SEAT
------------	------

4H0698151E	SKODA
------------	-------

4H0698151H	SKODA
------------	-------

4H0698151L	SKODA
------------	-------

4H0698151N	SKODA
------------	-------

8R0698151F	SKODA
------------	-------

8R0698151R	SKODA
------------	-------

4H0698151E	VW
------------	----

4H0698151H	VW
------------	----

4H0698151L	VW
------------	----

4H0698151N	VW
------------	----

8R0698151F	VW
------------	----

8R0698151R	VW
------------	----