

Klocki hamulcowe P 10 054



Dane techniczne klocków

Oś
Przód

WVA
25268, 25269, 25270

Szerokość
133 mm

Grubość
17,9 mm

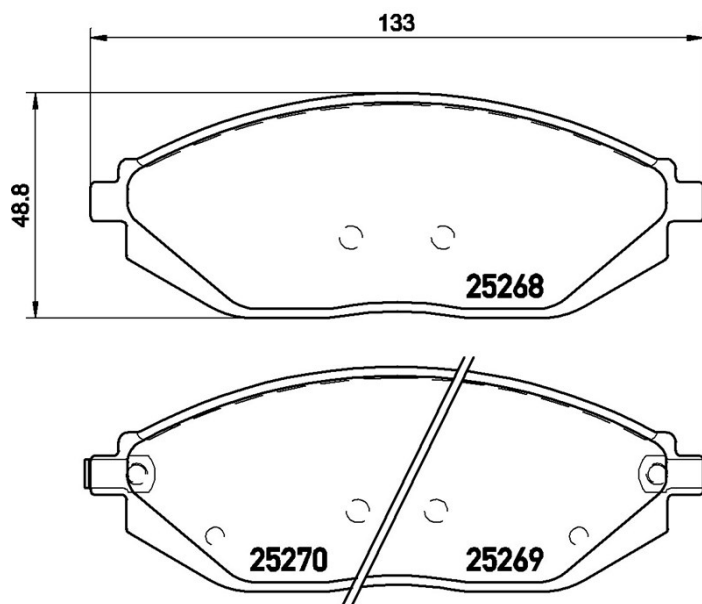
Wysokość
48,8 mm

Układ hamulcowy
Akebono

Akcesoria

Wskaźnik zużycia
Akustycznym

Referencja EAN
8020584102848



Pasujące pojazdy

CHEVROLET

| Model | Typ | kW | Rok |
|--------------|---------|-----|-------------|
| SPARK (M300) | 1.0 | 50 | 03/10 - |
| SPARK (M300) | 1.0 | 48 | 07/10 - |
| SPARK (M300) | 1.0 LPG | 50 | 03/10 - |
| SPARK (M300) | 1.0 LPG | 48 | 07/10 - |
| SPARK (M300) | 1.2 | 64 | 01/12 - |
| SPARK (M300) | 1.2 | 60 | 03/10 - |
| SPARK (M300) | 1.2 LPG | 60 | 03/10 - |
| SPARK (M300) | EV | 97 | 09/13 - |
| SPARK (M300) | EV | 105 | 09/13 12/16 |

| | | | |
|--------------|-----|----|---------|
| SPARK (M400) | 1.0 | 54 | 11/15 - |
| SPARK (M400) | 1.0 | 55 | 11/15 - |
| SPARK (M400) | 1.4 | 73 | 11/15 - |
| SPARK (M400) | 1.4 | 72 | 11/15 - |

HOLDEN

| Model | Typ | kW | Rok |
|-------------------|--------------|----|-------------|
| BARINA SPARK (MJ) | 1.2 i Auto | 63 | 10/10 12/15 |
| BARINA SPARK (MJ) | 1.2 i Manual | 59 | 10/10 12/15 |

TOYOTA

| Model | Typ | kW | Rok |
|------------------|---------|----|---------|
| PIXIS Bus (S3_M) | 0.7 | 38 | 12/11 - |
| PIXIS Bus (S3_M) | 0.7 | 47 | 12/11 - |
| PIXIS Bus (S3_M) | 0.7 4WD | 38 | 12/11 - |
| PIXIS Bus (S3_M) | 0.7 4WD | 47 | 12/11 - |

Numery OE

Pasujące kody OE

| | |
|-----------|------------|
| CHEVROLET | 96682858 |
| TOYOTA | 04465B5070 |