

Klocki hamulcowe P 11 021



Dane techniczne klocków

Oś
Tył

WVA
24822, 24823, 24824

Szerokość
116,7 mm

Grubość
17 mm

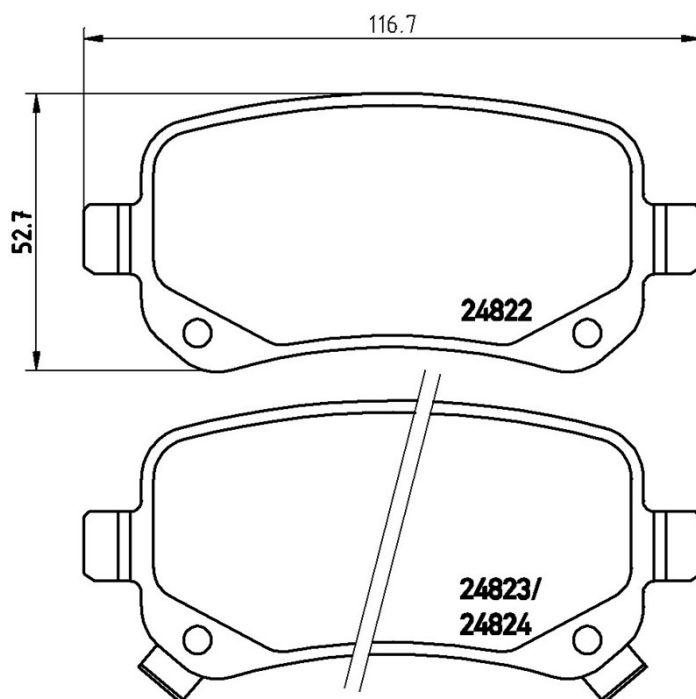
Wysokość
52,7 mm

Układ hamulcowy
Lucas

Akcesoria

Wskaźnik zużycia
Akustycznym

Referencja EAN
8020584090428



Pasujące pojazdy

CHRYSLER

Model	Typ	kW	Rok
GRAND VOYAGER V (RT)	2.8 CRD	120	10/07 -
GRAND VOYAGER V (RT)	2.8 CRD	120	10/07 -
GRAND VOYAGER V (RT)	3.3	125	01/08 -
GRAND VOYAGER V (RT)	3.8	142	10/07 -
GRAND VOYAGER V (RT)	3.8	148	10/07 -
GRAND VOYAGER V (RT)	4.0	179	10/07 -
GRAND VOYAGER V (RT)	4.0	187	10/07 -

DODGE

Model	Typ	kW	Rok
CARAVAN	2.8 CRD	120	01/09 -
CARAVAN	3.8	142	01/08 -
CARAVAN	4.0	189	01/09 -
GRAND CARAVAN	3.3	127	06/07 -
GRAND CARAVAN	3.3	131	06/07 12/08
GRAND CARAVAN	3.3 Flexfuel	131	06/07 12/10
GRAND CARAVAN	3.3 Flexfuel	127	09/08 -
GRAND CARAVAN	3.6	211	09/10 -
GRAND CARAVAN	3.6 Flexfuel	211	09/11 -
GRAND CARAVAN	3.8	147	06/07 -
GRAND CARAVAN	3.8	148	06/07 -
GRAND CARAVAN	3.8	142	06/07 12/10
GRAND CARAVAN	4.0	189	06/07 12/10
GRAND CARAVAN	4.0	173	06/07 -
GRAND CARAVAN Mini Cargo Van	3.3	131	09/07 12/08
JOURNEY	2.0 CRD	100	06/08 12/11
JOURNEY	2.0 CRD	103	06/08 -
JOURNEY	2.4	127	06/12 -
JOURNEY	2.4	125	01/09 -
JOURNEY	2.4	129	09/08 -
JOURNEY	2.4 AWD	129	09/13 -
JOURNEY	2.4 ECO+	125	03/09 -
JOURNEY	2.7	136	01/09 -
JOURNEY	2.7 FLEXFUEL	136	01/09 -
JOURNEY	3.5	175	09/08 12/10
JOURNEY	3.5	173	06/08 -
JOURNEY	3.5 AWD	175	09/08 12/10
JOURNEY	3.5 AWD	173	06/08 -
JOURNEY	3.6	208	06/12 -
JOURNEY	3.6	206	06/12 12/15
JOURNEY	3.6	211	01/12 -

FIAT

Model	Typ	kW	Rok
FREEMONT (345_)	2.0 JTD	100	08/11 -
FREEMONT (345_)	2.0 JTD	103	08/11 -
FREEMONT (345_)	2.0 JTD	120	08/11 -
FREEMONT (345_)	2.0 JTD	125	08/11 -
FREEMONT (345_)	2.0 JTD 4x4	120	08/11 -
FREEMONT (345_)	2.0 JTD 4x4	125	08/11 -
FREEMONT (345_)	2.4	125	08/11 -
FREEMONT (345_)	2.4	129	08/12 -
FREEMONT (345_)	3.6	206	08/11 -
FREEMONT (345_)	3.6 4x4	206	08/11 -

LANCIA

Model	Typ	kW	Rok
VOYAGER MPV (404_)	2.8 CRD	120	09/11 12/14
VOYAGER MPV (404_)	3.6 V6	208	09/11 12/14

VW

Model	Typ	kW	Rok
ROUTAN	3.6	208	01/11 12/13
ROUTAN	3.6	196	12/10 12/13
ROUTAN	3.6 Flexfuel	211	09/10 12/11
ROUTAN	3.8	145	09/08 11/10
ROUTAN	3.8	147	09/08 11/10
ROUTAN	4.0	185	09/08 11/10
ROUTAN	4.0	187	09/08 11/10

Numery OE

Pasujące kody OE

AUDI	7B0698451
AUDI	7B0698451A
AUDI	7B0698451C
AUDI	7B0698451D
CHRYSLER	00K68159138AA
CHRYSLER	00K68159143AA
CHRYSLER	68029887AB

CHRYSLER	68044761AA
CHRYSLER	68044761AB
CHRYSLER	68044761AC
CHRYSLER	K68044761AA
DODGE	68029887AA
FIAT	00K68159138AA
FIAT	00K68159143AA
FIAT	00K68192439AA
FIAT	00K68192439AB
FIAT	K68029887AA
FIAT	K68029887AB
FIAT	K68159138AA
FIAT	K68159143AA
FIAT	K68192439AA
FIAT	K68192439AB
SEAT	7B0698451
SEAT	7B0698451A
SEAT	7B0698451C
SEAT	7B0698451D
SKODA	7B0698451
SKODA	7B0698451A
SKODA	7B0698451C
SKODA	7B0698451D
VW	7B0698451
VW	7B0698451A
VW	7B0698451C
VW	7B0698451D