



BRAKE PAD

P 18 038

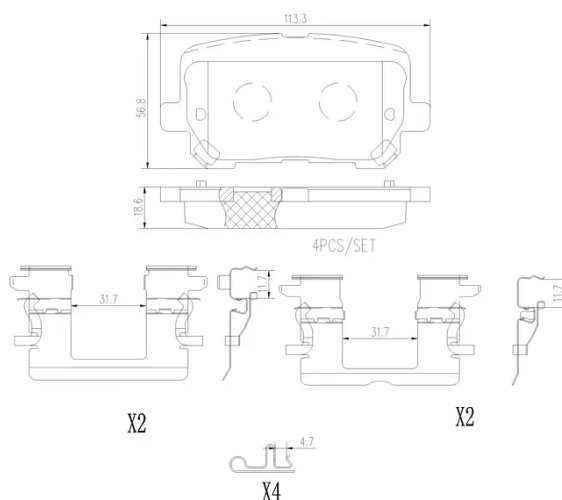
The P 18 038 brake pad is synonymous with reliability

The Brembo brake pad guarantees ultimate safety when braking thanks to the use of more than 100 different compounds, designed according to the type of vehicle and use. Stopping distances reduced to a minimum, maximum driving comfort and silent operation are the most important features of Brembo materials. Brembo brake pads are supplied together with an extensive range of accessories and assembly kits for professional-standard installation.

- ✓ OE-equivalent
- ✓ Brembo quality
- ✓ ECE-R90 certificate
- ✓ Safety
- ✓ Performance
- ✓ Comfort

Technical specifications

EAN code	Axle	Thickness
8020584116852	Rear	19 mm
Width	Height	
113 mm	57 mm	
Wear indicator	Accessories	
Acoustic	With anti-squeal shim	



COMPATIBLE VEHICLES

COMPATIBLE OE PART NUMBERS

00K68245118AA	DODGE
---------------	-------

00K68245118AB	DODGE
---------------	-------

68245118AA	DODGE
------------	-------

68245118AB	DODGE
------------	-------
