



BRAKE PAD

P 23 083

The P 23 083 brake pad is synonymous with reliability

The Brembo brake pad guarantees ultimate safety when braking thanks to the use of more than 100 different compounds, designed according to the type of vehicle and use. Stopping distances reduced to a minimum, maximum driving comfort and silent operation are the most important features of Brembo materials. Brembo brake pads are supplied together with an extensive range of accessories and assembly kits for professional-standard installation.

- ✓ OE-equivalent
- ✓ Brembo quality
- ✓ ECE-R90 certificate
- ✓ Safety
- ✓ Performance
- ✓ Comfort
- ✓ With accessories



Technical specifications

EAN code
8020584051535

Axle
Front

Thickness
20 mm

Width
145 mm

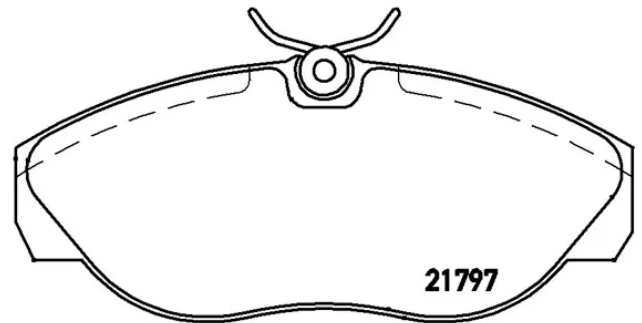
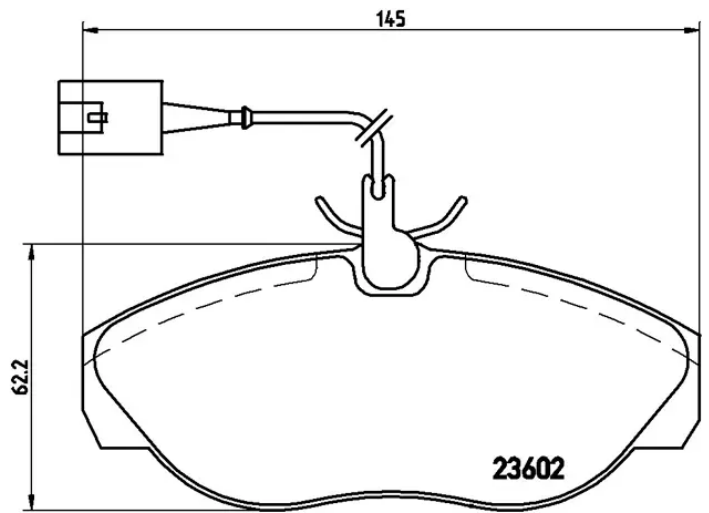
Height
62 mm

Braking system
Lucas

Wear indicator
Electric

WVA number
21797,23602

Accessories
With accessories
With anti-squeal
shim
With brake caliper
bolts



COMPATIBLE VEHICLES

COMPATIBLE OE PART NUMBERS

1617279080	CITROËN
425224	CITROËN
425226	CITROËN
425455	CITROËN
E172354	CITROËN
0006000629134	FIAT
6000629134	FIAT
71770982	FIAT
77362235	FIAT
9948626	FIAT
1617279080	PEUGEOT
425224	PEUGEOT
425226	PEUGEOT
425455	PEUGEOT