

Klocki hamulcowe P 50 005



Dane techniczne klocków

Oś
Tył

WVA
21027

Szerokość
61,8 mm

Grubość
15,5 mm

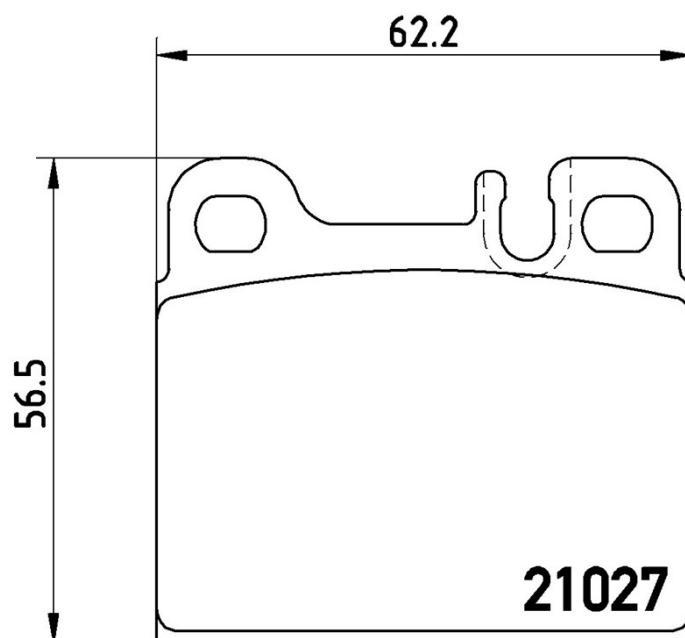
Wysokość
56,5 mm

Układ hamulcowy
Teves

Akcesoria

Wskaźnik zużycia
Przygotowane

Referencja EAN
8020584053775



Pasujące pojazdy

MERCEDES-BENZ

Model	Typ	kW	Rok
S-CLASS (W126)	260 SE (126.020)	118	09/85 06/91
S-CLASS (W126)	260 SE (126.020)	122	09/85 06/91
S-CLASS (W126)	280 S (126.021)	115	12/79 07/85
S-CLASS (W126)	280 SE, SEL (126.022, 126.023)	136	10/79 07/85
S-CLASS (W126)	3.8	160	08/80 08/84
S-CLASS (W126)	300 SE, SEL (126.024, 126.025)	132	01/86 06/91
S-CLASS (W126)	300 SE, SEL (126.024, 126.025)	138	09/85 12/89

S-CLASS (W126)	380 SE, SEL (126.032)	160	09/80 10/81
S-CLASS (W126)	380 SE, SEL (126.032)	150	10/81 08/85
S-CLASS (W126)	420 SE, SEL	165	10/85 06/91
S-CLASS (W126)	420 SE, SEL	170	10/85 12/87
S-CLASS (W126)	420 SE, SEL (126.034)	160	10/85 12/87
S-CLASS (W126)	420 SE, SEL (126.034, 126.035)	150	10/85 06/91
S-CLASS (W126)	500 SE, SEL	185	09/87 06/91
S-CLASS (W126)	500 SE, SEL	195	09/87 06/91
S-CLASS (W126)	500 SE, SEL (126.036)	164	09/85 06/91
S-CLASS (W126)	500 SE, SEL (126.036)	180	09/85 06/91
S-CLASS (W126)	500 SE, SEL (126.036)	170	12/79 08/85
S-CLASS (W126)	500 SE, SEL (126.036)	177	12/79 08/85
S-CLASS (W126)	500 SE, SEL Cat	185	06/89 06/91
S-CLASS (W126)	560 SE, SEL	205	08/87 06/91
S-CLASS (W126)	560 SE, SEL	220	10/85 06/91
S-CLASS (W126)	560 SE, SEL (126.038)	200	10/85 12/87
S-CLASS (W126)	560 SE, SEL (126.038, 126.039)	178	10/85 06/91
S-CLASS Coupe (C126)	380 SEC (126.043)	150	10/81 07/85
S-CLASS Coupe (C126)	420 SEC (126.046)	150	10/85 06/91
S-CLASS Coupe (C126)	420 SEC (126.046)	165	10/85 06/91
S-CLASS Coupe (C126)	420 SEC (126.046)	160	10/85 12/87
S-CLASS Coupe (C126)	500 SEC (126.044)	185	08/87 06/91
S-CLASS Coupe (C126)	500 SEC (126.044)	180	09/85 06/91
S-CLASS Coupe (C126)	500 SEC (126.044)	195	09/85 06/91
S-CLASS Coupe (C126)	500 SEC (126.044)	170	10/81 08/85
S-CLASS Coupe (C126)	500 SEC (126.044)	164	10/85 06/91
S-CLASS Coupe (C126)	500 SEC Cat	185	06/89 06/91
S-CLASS Coupe (C126)	560 SEC (126.045)	178	10/85 06/91
S-CLASS Coupe (C126)	560 SEC (126.045)	205	10/85 06/91
S-CLASS Coupe (C126)	560 SEC (126.045)	200	10/85 12/87
S-CLASS Coupe (C126)	560 SEC (126.045)	220	10/85 12/89

Numery OE

Pasuřace kody OE

MERCEDES-BENZ	0014207320
MERCEDES-BENZ	0014210412
MERCEDES-BENZ	A0014207320
MERCEDES-BENZ	A0014210412